

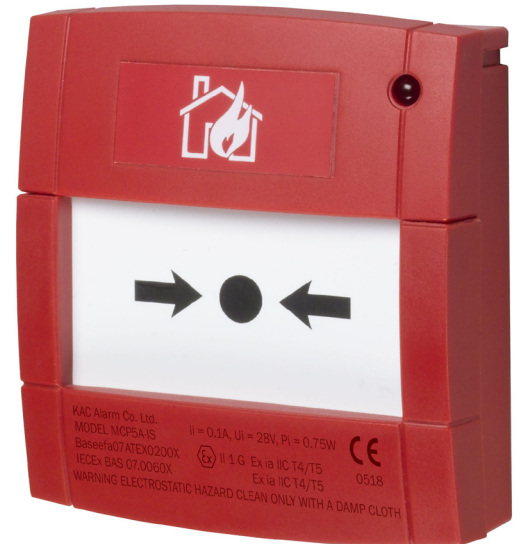
Intrinsically Safe Call Point Range

Intelligent Model - System Sensor Protocol (Red Versions)



> Product Benefits

- Unique 'Plug & Play' installation concept
- Total 'Flex-Ability' in the choice of operating element
- Anti-Tamper facility
- Enhanced aesthetics
- Fully approved to the latest standards
- Backward compatibility



166b



II 1G Ex ia IIC T4
Baseefa 07ATEX0200X
IECEx BAS 07.0060X

Product Overview

An Intrinsically Safe version of our MCP5A indoor call point is available for installation in hazardous areas. These call points are manufactured to protect against other hazards, as defined in paragraph 1.2.7 of annex II of the ATEX Directive 94/9/EC. They are intended for use within Intrinsically Safe (I.S.) systems using suitable I.S. barriers. For a list of suitable barriers see reverse.

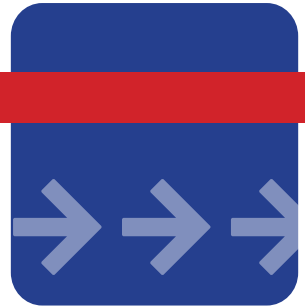
Installation efficiency, flexibility and full compliance with the latest standards are at the heart of the Indoor Call Point range.

Installation time and ultimately cost, are of paramount importance to any fire or security installer. The MCP range directly reflects this need by providing a unique 'plug and play' concept designed specifically to reduce installation time. All new MCP products utilise a special terminal block, where all initial installation cabling is terminated. This terminal block is then simply connected to the back of the MCP. Simple, but effective with no re-termination required and no time wasted.

Both break glass and resettable operating elements can now be used within a manual call point. To provide you with the greatest 'flex-ability', the new MCP range can be configured as either a break glass or resettable unit by simply changing from one element to another. No other additional parts or alternative products need to be ordered.

All MCP Indoor Call Point products also help preserve the integrity of the overall system as illegal removal of the product lid will result in the call point operating and the system going in to alarm.

The MCP5A product is supplied with System Sensors protocol embedded. This allows the device to be used in addressable systems running compatible protocols.





Electrical Specification


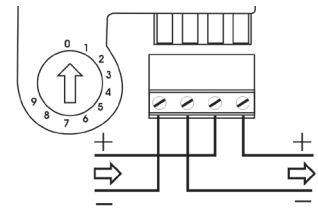
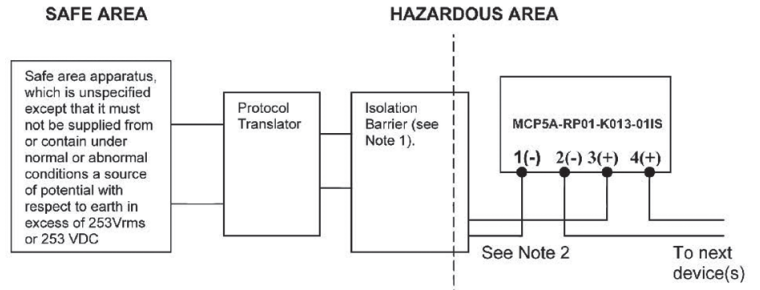
Connection Details: See Figure .1
 Cable Termination: 0.5-2.5mm²
 Maximum Voltage: 24VDC
 Standby current: 400uA
 Operating current: 4.8mA (Typical)
 Certification Details:  II 1G Ex ia IIC T4
 Baseefa 07ATEX0200X
 IECEx BAS 07.0060X

Figure .1
IS-MCP5A-X



Suitable IS Barriers:
 P & F Smart Fire Detector Isolator
 Type KFDO-CS-Ex1.54-Y72221
 (BAS00ATEX7087x)

One channel from:
 P & F Smart Fire Detector Isolator
 Type KFDO-CS-Ex2.54-Y72222
 (BAS00ATEX7087x)

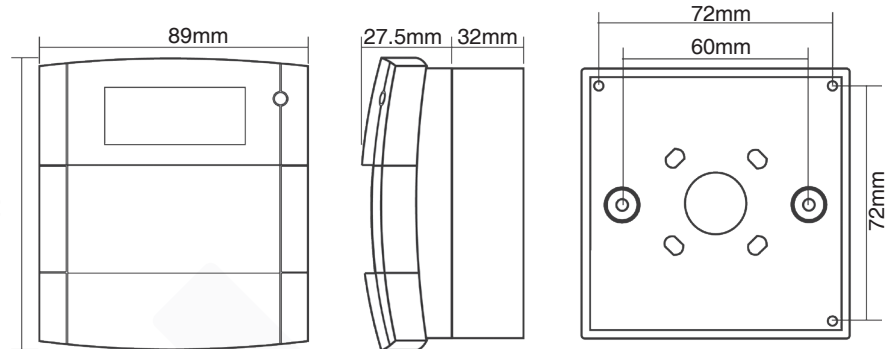


Environmental Specification

Humidity: 0-95% non-condensing
 Ambient Temperature Range: -30°C to + 70°C
 Ingress Protection (IP) Rating: IP24D

Mechanical Specification

Material: PC/ABS
 Weight: 110g Flush
 160g Surface
 Colour: Red, Ral 3001



Ordering Information

Model	Electrical Configuration	Mounting	Operating Element	Markings
MCP5A-RP01FG-K013-01IS	N/O	Flush	Glass	EN54-11
MCP5A-RP01FF-K013-01IS	N/O	Flush	Flexi	EN54-11
MCP5A-RP01SG-K013-01IS	N/O	Surface	Glass	EN54-11
MCP5A-RP01SF-K013-01IS	N/O	Surface	Flexi	EN54-11

N/C = Normally Closed Contact
 N/O = Normally Open Contact

Accessories

Code	Description
SC070	Pack Of Ten Test Keys
KG1 x 5	Pack Of Five Glass Elements
PS210	Flexible Operating Element
PS200	Plain Hinged Cover
SC071	Pack Of Ten Terminal Blocks

> KAC Alarm Company Ltd

KAC House, Thornhill Road,
 North Moons Moat, Redditch,
 B98 9ND, United Kingdom
 Tel: +44 (0) 1527 406655
 Fax: +44 (0) 1527 406677
 e-mail: marketing@kac.co.uk

