

# MCP Indoor Call Point Range

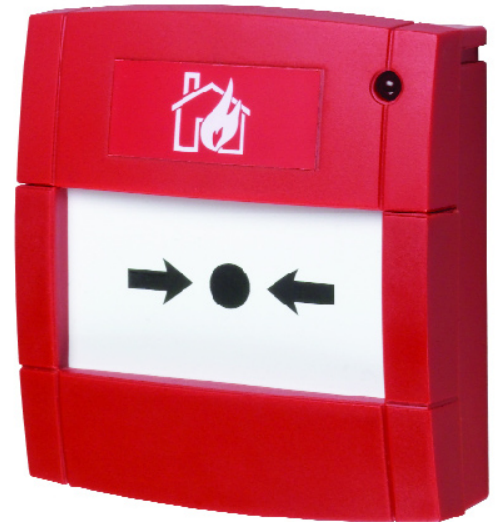
## Intelligent Model

### System Sensor Protocol



#### > Product Benefits

- Unique 'Plug & Play' installation concept
- Total 'Flex-Ability' in the choice of operating element
- Anti-Tamper facility
- Enhanced aesthetics and compact design
- Fully approved to the latest standards
- Backward compatibility



#### Product Overview

Installation efficiency, flexibility and full compliance with the latest standards are at the heart of the new MCP Indoor Call Point range.

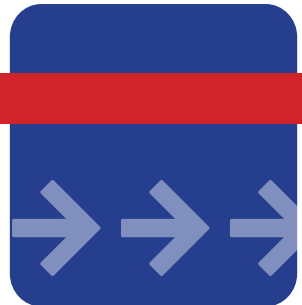
Installation time and ultimately cost, are of paramount importance to any fire or security installer. The MCP range directly reflects this need by providing a unique 'plug and play' concept designed specifically to reduce installation time. All new MCP products utilise a special terminal block, where all initial installation cabling is terminated. This terminal block is then simply connected to the back of the MCP. Simple, but effective with no re-termination required and no time wasted.

Through new standards and legislation, both break glass and resettable operating elements can now be used within a manual call point. To provide you with the greatest 'flex-ability', the new MCP range can be configured as either a break glass or resettable unit by simply changing from one element to another. No other additional parts or alternative products need to be ordered.

All MCP Indoor Call Point products also help preserve the integrity of the overall system as illegal removal of the product lid will result in the call point operating and the system going in to alarm.

Full compliance with the latest standards is essential and the new MCP indoor call point range is fully approved to the latest EN54-11 standard.

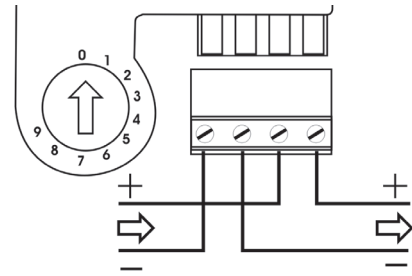
The MCP5A product has the System Sensor protocol embedded. A version of this call point with built in isolation is also available.



## Electrical Specification

Connection Details:	See Figure .1
Cable Termination:	0.5-2.5mm <sup>2</sup>
Maximum Voltage:	30VDC
Standby Current:	400µA* (non-isolation) 500µA* (isolation)
Operating Current:	7.6mA* (non-isolation) 7.6mA* (isolation)
	*figures @ 24VDC

Figure .1  
MUS5A

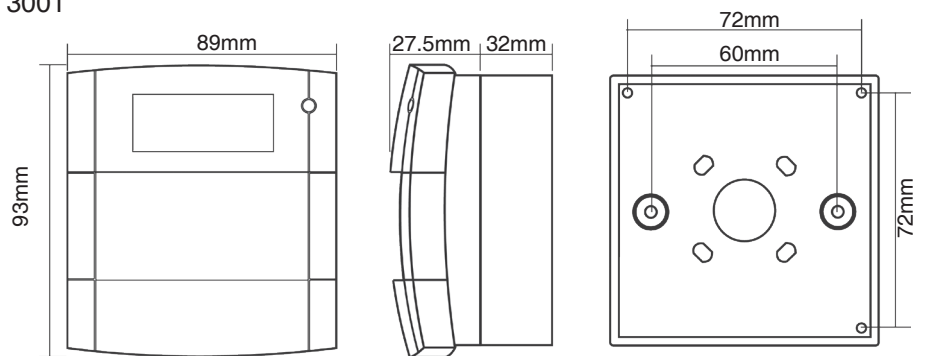


## Environmental Specification

Humidity:	0-95% non-condensing
Operating Temperature:	-10°C to +55°C
Storage Temperature:	-10°C to +55°C
Ingress Protection (IP) Rating:	IP24D

## Mechanical Specification

Material:	PC/ABS
Weight:	110g Flush 160g Surface
Colour:	Red, Ral 3001



## Ordering Information

Model	Isolation	Mounting	Operating Element	Markings
Stock				
MCP5A-RP01FG-01	NO	Flush	Glass	EN54-11
MCP5A-RP01FF-01	NO	Flush	Flexi	EN54-11
MCP5A-RP02FG-01	YES	Flush	Glass	EN54-11
MCP5A-RP02FF-01	YES	Flush	Flexi	EN54-11
MCP5A-RP01SG-01	NO	Surface	Glass	EN54-11
MCP5A-RP01SF-01	NO	Surface	Flexi	EN54-11
MCP5A-RP02SG-01	YES	Surface	Glass	EN54-11
MCP5A-RP02SF-01	YES	Surface	Flexi	EN54-11

### Accessories

Code	Description
SC070	Pack Of Ten Test Keys
KG1 x 5	Pack Of Five Glass Elements
PS210	Flexible Operating Element
PS200	Plain Hinged Cover
SC071	Pack Of Ten Terminal Blocks

### > KAC Alarm Company Ltd

KAC House, Thornhill Road,  
North Moons Moat, Redditch,  
B98 9ND, United Kingdom  
Tel: +44 (0) 1527 406655  
Fax: +44 (0) 1527 406677  
e-mail: marketing@kac.co.uk

**KAC**