

# MCP Indoor Call Point Range

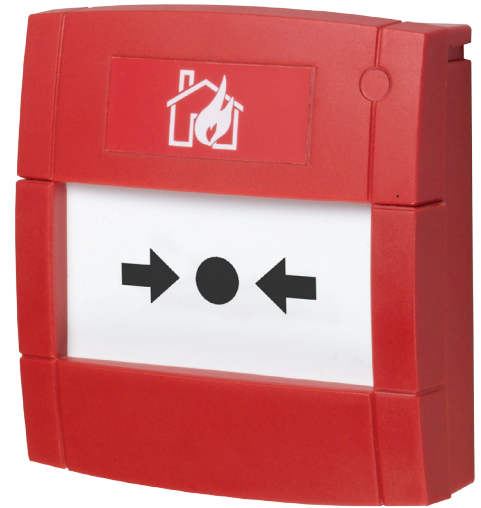
## MCP 6H NO/NC Flying Lead Model

### For High Humidity Applications (Red Versions)



#### > Product Benefits

- High Tolerance to high humidity environments
- Total 'Flex-Ability' in the choice of operating element
- Anti-Tamper facility
- Enhanced aesthetics
- Fully approved to the latest standards
- Backwards compatibility



#### Product Overview

Installation efficiency, flexibility and full compliance with the latest standards are at the heart of the MCP indoor call point range.

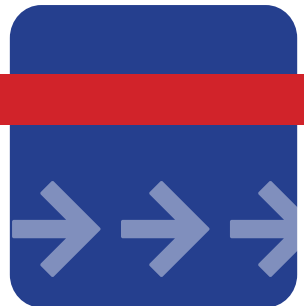
Quality and reliability are paramount in the design of all KAC call points. For challenging indoor applications and environments, KAC offers the MCP6H call point specifically designed for indoor applications where temperature and humidity fluctuate in extremes and an atmospheric accelerant, such as salt, may be present.

The product has been tested to EN54-11 and has also been subjected to additional high humidity testing at levels upto 98% RH. This is an additional test far more rigorous than is set out in EN54-11 and intended to ensure product performance in these extreme conditions.

Through standards and legislation, both break glass and resettable operating elements can now be used within a manual call point. To provide you with the greatest 'flex-ability', the new MCP range can be configured as either a break glass or resettable unit by simply changing from one element to another. No other additional parts or alternative products need to be ordered.

All MCP indoor call point products also help preserve the integrity of the overall system as illegal removal of the product lid will result in the call point operating and the system going into alarm.

The MCP6H is available with flying leads and a separate terminal block.



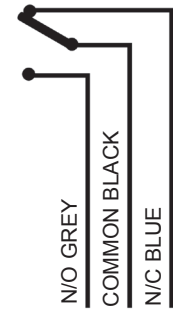


## Electrical Specification

Connection Details: See Figure .1  
 Cable Termination: 0.5-2.5mm<sup>2</sup>  
 Maximum Voltage: 30VDC  
 Current Rating (switch only): 2 Amps

Figure .1

MCP6H-X

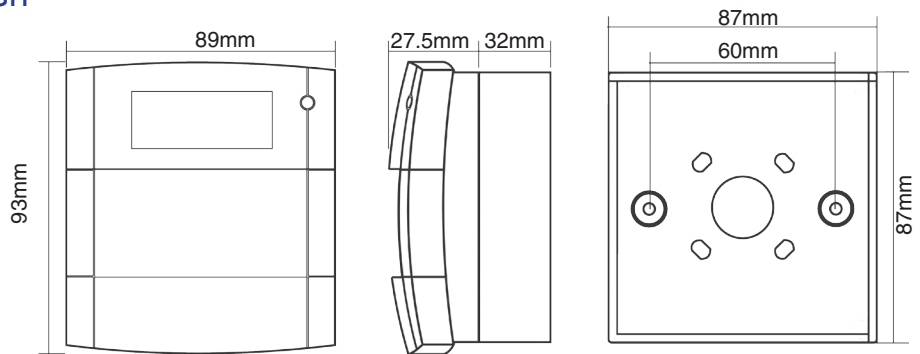


## Environmental Specification

Humidity: ≤ 98% non-condensing  
 Operating Temperature: -10°C to +55°C  
 Storage Temperature: -10°C to +55°C  
 Ingress Protection (IP) Rating: IP24D  
 For RoHS, WEEE & REACH information please visit [www.kac.co.uk](http://www.kac.co.uk)

## Mechanical Specification

Material: PC/ABS  
 Weight: 130g Flush  
 180g Surface  
 Colour: Red, Ral 3001



## Ordering Information

Model	Electrical Configuration	Mounting	Operating	Markings
MCP6H-RC01FF-K013-01	Single pole changeover contact 30VDC	Flush	Flexi	EN54-11
MCP6H-RC01SF-K013-01	Single pole changeover contact 30VDC	Surface	Flexi	EN54-11
MCP6H-RC01FG-K013-01	Single pole changeover contact 30VDC	Flush	Glass	EN54-11
MCP6H-RC01SG-K013-01	Single pole changeover contact 30VDC	Surface	Glass	EN54-11

### Accessories

Code	Description
SC070	Pack of Ten Test Keys
KG1 x 5	Pack of Five Glass Elements <i>(Also available in packs of 10, 25 &amp; 50)</i>
PS210	Flexible Operating Element
PS200	Plain Hinged Cover

### > KAC Alarm Company Ltd

KAC House, Thornhill Road,  
 North Moons Moat, Redditch,  
 B98 9ND, United Kingdom  
 Tel: +44 (0) 1527 406655  
 Fax: +44 (0) 1527 406677  
 e-mail: [marketing@kac.co.uk](mailto:marketing@kac.co.uk)

