

| DATE | ISSUE | DCN | REVISION | ALT. | APPR. |
|-----------|-------|------|---|------|-------|
| 01/JUL/13 | A | | FIRST ISSUE | AJC | PTC |
| 24/07/13 | B | | LIGHT OUTPUT COVERAGES AMENDED - ALL DEVICES COMPLETE APPROVALS COVERAGES ADDED | AJC | AJC |
| 04/02/14 | 1 | 1249 | ALIGNING DATA WITH NEW MEASUREMENTS FROM LPCB. | AJC | PTC |
| 06/03/14 | 2 | 1267 | ADDITION OF COVERAGE VOLUME COLUMN IN M ³ TO DRAWING TABLE | AJC | PTC |

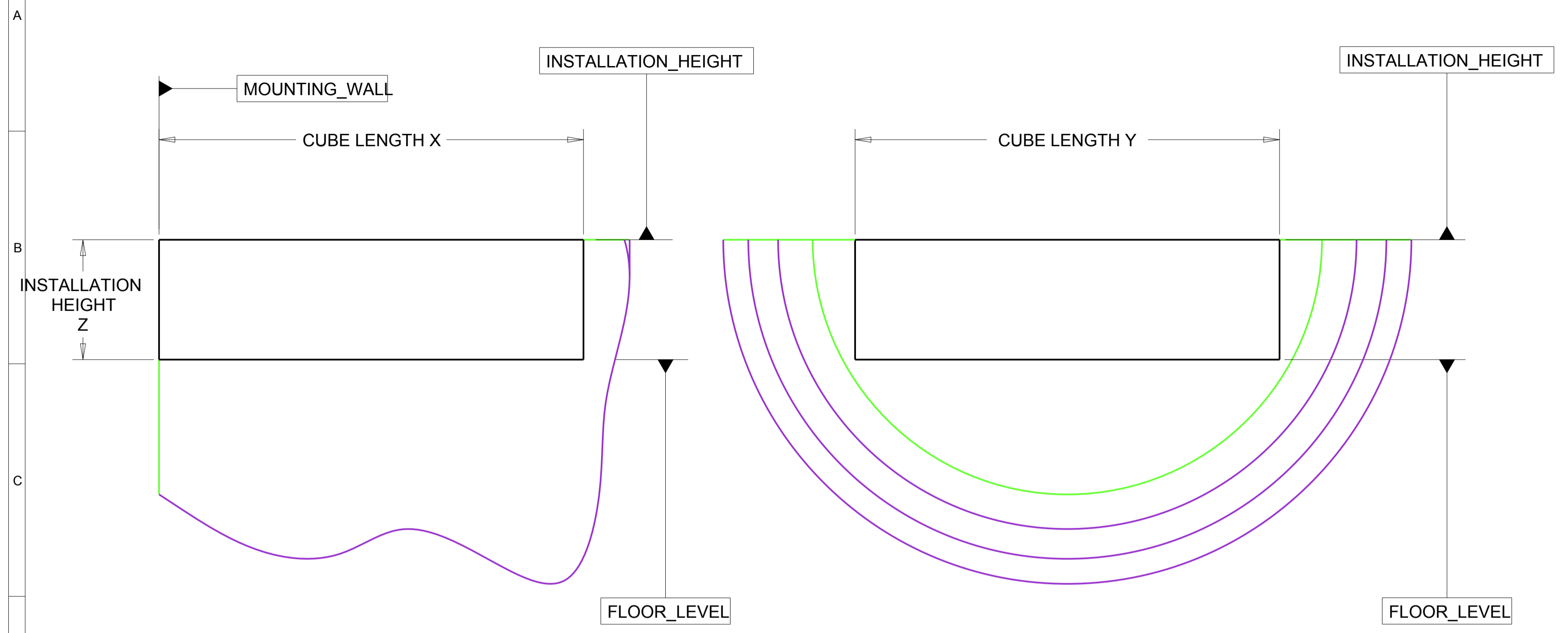
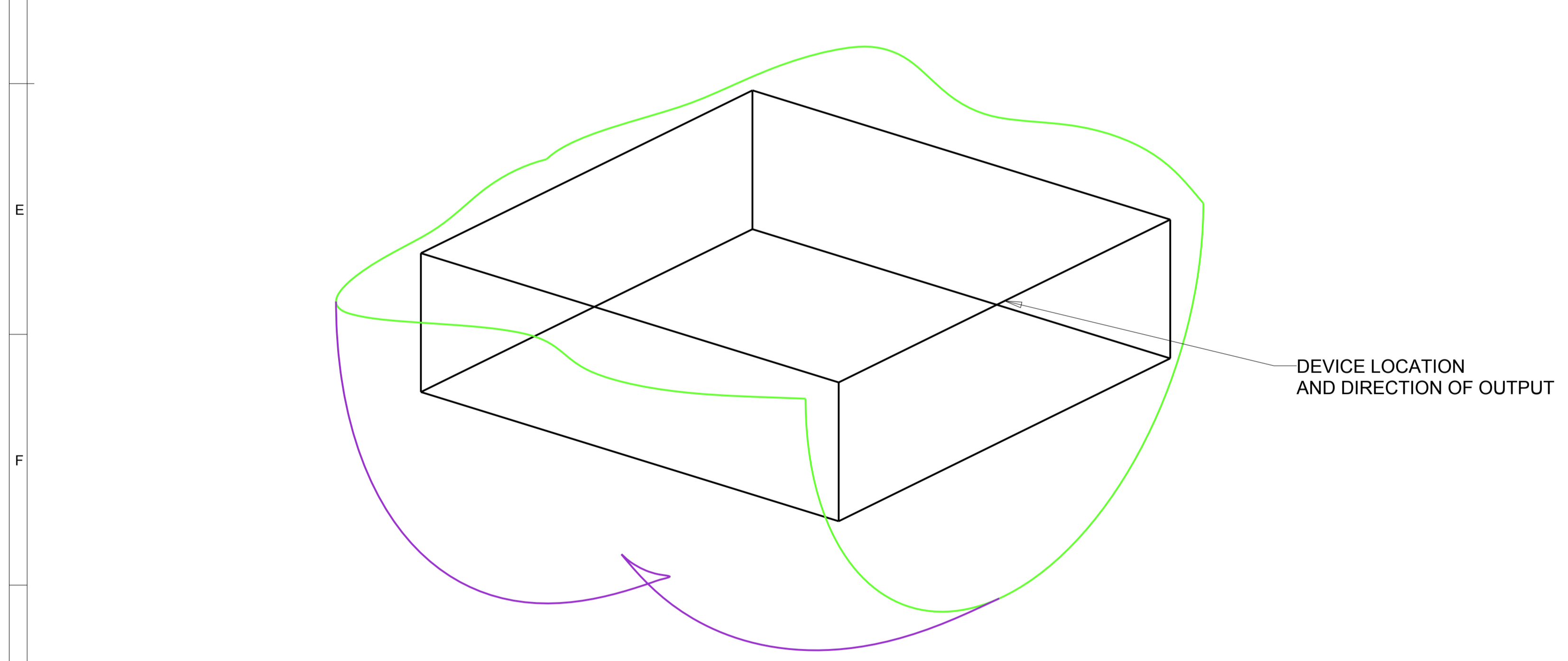


TABLE OF APPROVED WALL MOUNTED COVERAGES - PUBLISHED COVERAGES FOR PRODUCT DATA SHEETS

| CLASS OF APPROVAL | DEVICE | LED COLOUR | OPERATING VOLTAGE | INSTALLATION HEIGHT (Z) | COVERAGE CUBE X (MAX) | COVERAGE CUBE Y (MAX) | VOLUME METRES CUBED | PUBLISHED APPROVALS CLASSIFICATION |
|-------------------|--------|------------|-------------------|-------------------------|-----------------------|-----------------------|----------------------|------------------------------------|
| W | CWST | WHITE | 12 VOLTS | 2.4 METRES | 9.00 METRES | 9.00 METRES | 194.4 M ³ | W-2.4-9 |
| W | CWST | WHITE | 19 VOLTS | 2.4 METRES | 9.00 METRES | 9.00 METRES | 194.4 M ³ | W-2.4-9 |
| W | CWST | WHITE | 24 V (NOM) | 2.4 METRES | 9.00 METRES | 9.00 METRES | 194.4 M ³ | W-2.4-9 |
| W | CWST | WHITE | 30 VOLTS | 2.4 METRES | 9.00 METRES | 9.00 METRES | 194.4 M ³ | W-2.4-9 |
| W | CWST | RED | 12 VOLTS | 2.4 METRES | 6.20 METRES | 6.20 METRES | 92.25 M ³ | W-2.4-6.2 |
| W | CWST | RED | 19 VOLTS | 2.4 METRES | 6.20 METRES | 6.20 METRES | 92.25 M ³ | W-2.4-6.2 |
| W | CWST | RED | 24 V (NOM) | 2.4 METRES | 6.20 METRES | 6.20 METRES | 92.25 M ³ | W-2.4-6.2 |
| W | CWST | RED | 30 VOLTS | 2.4 METRES | 6.20 METRES | 6.20 METRES | 92.25 M ³ | W-2.4-6.2 |
| W | CWSS | WHITE | 12 VOLTS | 2.4 METRES | 8.90 METRES | 8.90 METRES | 190.1 M ³ | W-2.4-8.9 |
| W | CWSS | WHITE | 19 VOLTS | 2.4 METRES | 8.90 METRES | 8.90 METRES | 190.1 M ³ | W-2.4-8.9 |
| W | CWSS | WHITE | 24 V (NOM) | 2.4 METRES | 8.90 METRES | 8.90 METRES | 190.1 M ³ | W-2.4-8.9 |
| W | CWSS | WHITE | 30 VOLTS | 2.4 METRES | 8.90 METRES | 8.90 METRES | 190.1 M ³ | W-2.4-8.9 |
| W | CWSS | RED | 12 VOLTS | 2.4 METRES | 6.00 METRES | 6.00 METRES | 86.4 M ³ | W-2.4-6 |
| W | CWSS | RED | 19 VOLTS | 2.4 METRES | 6.00 METRES | 6.00 METRES | 86.4 M ³ | W-2.4-6 |
| W | CWSS | RED | 24 V (NOM) | 2.4 METRES | 6.00 METRES | 6.00 METRES | 86.4 M ³ | W-2.4-6 |
| W | CWSS | RED | 30 VOLTS | 2.4 METRES | 6.00 METRES | 6.00 METRES | 86.4 M ³ | W-2.4-6 |

1 B ENTIRE COLUMN 2 ENTIRE COLUMN 2 ENTIRE COLUMN 1 B ENTIRE COLUMN



1 B ENTIRE TABLE

TABLE OF ADDITIONAL APPROVED WALL MOUNTED COVERAGES. PUBLISH FOR SYSTEM DESIGNERS TO SPECIFY PRODUCT COVERAGE SUITABILITY FOR MULTIPLE ENVIRONMENT VOLUMES.

| CLASS OF APPROVAL | DEVICE | LED COLOUR | OPERATING VOLTAGE | INSTALLATION HEIGHT (Z) MAX. | COVERAGE CUBE X (MAX) | COVERAGE CUBE Y (MAX) | VOLUME METRES CUBED | PUBLISHED APPROVALS CLASSIFICATION |
|-------------------|--------|------------|-------------------|------------------------------|-----------------------|-----------------------|----------------------|------------------------------------|
| W | CWST | WHITE | 12 - 30 V | 3.00 METRES | 8.60 METRES | 8.60 METRES | 221.9 M ³ | W-3-8.6 |
| W | CWST | WHITE | 12 - 30 V | 3.50 METRES | 8.20 METRES | 8.20 METRES | 235.5 M ³ | W-3.5-8.2 |
| W | CWST | WHITE | 12 - 30 V | 4.00 METRES | 8.20 METRES | 8.20 METRES | 268.9 M ³ | W-4-8.2 |
| W | CWST | WHITE | 12 - 30 V | 4.50 METRES | 5.00 METRES | 5.00 METRES | 112.5 M ³ | W-4.5-5 |
| W | CWSS | WHITE | 12 - 30 V | 3.00 METRES | 8.90 METRES | 8.90 METRES | 237.6 M ³ | W-3-8.9 |
| W | CWSS | WHITE | 12 - 30 V | 3.50 METRES | 8.80 METRES | 8.80 METRES | 271.0 M ³ | W-3.5-8.8 |
| W | CWSS | WHITE | 12 - 30 V | 4.00 METRES | 8.70 METRES | 8.70 METRES | 302.7 M ³ | W-4-8.7 |
| W | CWSS | WHITE | 12 - 30 V | 4.50 METRES | 7.00 METRES | 7.00 METRES | 220.5 M ³ | W-4.5-7 |
| W | CWST | RED | 12 - 30 V | 3.00 METRES | 6.20 METRES | 6.20 METRES | 115.3 M ³ | W-3-6.2 |
| W | CWST | RED | 12 - 30 V | 3.50 METRES | 6.20 METRES | 6.20 METRES | 134.5 M ³ | W-3.5-6.2 |
| W | CWST | RED | 12 - 30 V | 4.00 METRES | 4.50 METRES | 4.50 METRES | 81.0 M ³ | W-4-4.5 |
| W | CWST | RED | 12 - 30 V | 4.50 METRES | 4.00 METRES | 4.00 METRES | 72.0 M ³ | W-4.5-4 |
| W | CWSS | RED | 12 - 30 V | 3.00 METRES | 6.00 METRES | 6.00 METRES | 108.0 M ³ | W-3-6 |
| W | CWSS | RED | 12 - 30 V | 3.50 METRES | 5.90 METRES | 5.90 METRES | 121.8 M ³ | W-3.5-5.9 |
| W | CWSS | RED | 12 - 30 V | 4.00 METRES | 4.30 METRES | 4.30 METRES | 73.9 M ³ | W-4-4.3 |

2 ENTIRE COLUMN 2 ENTIRE COLUMN

GENERAL NOTE:

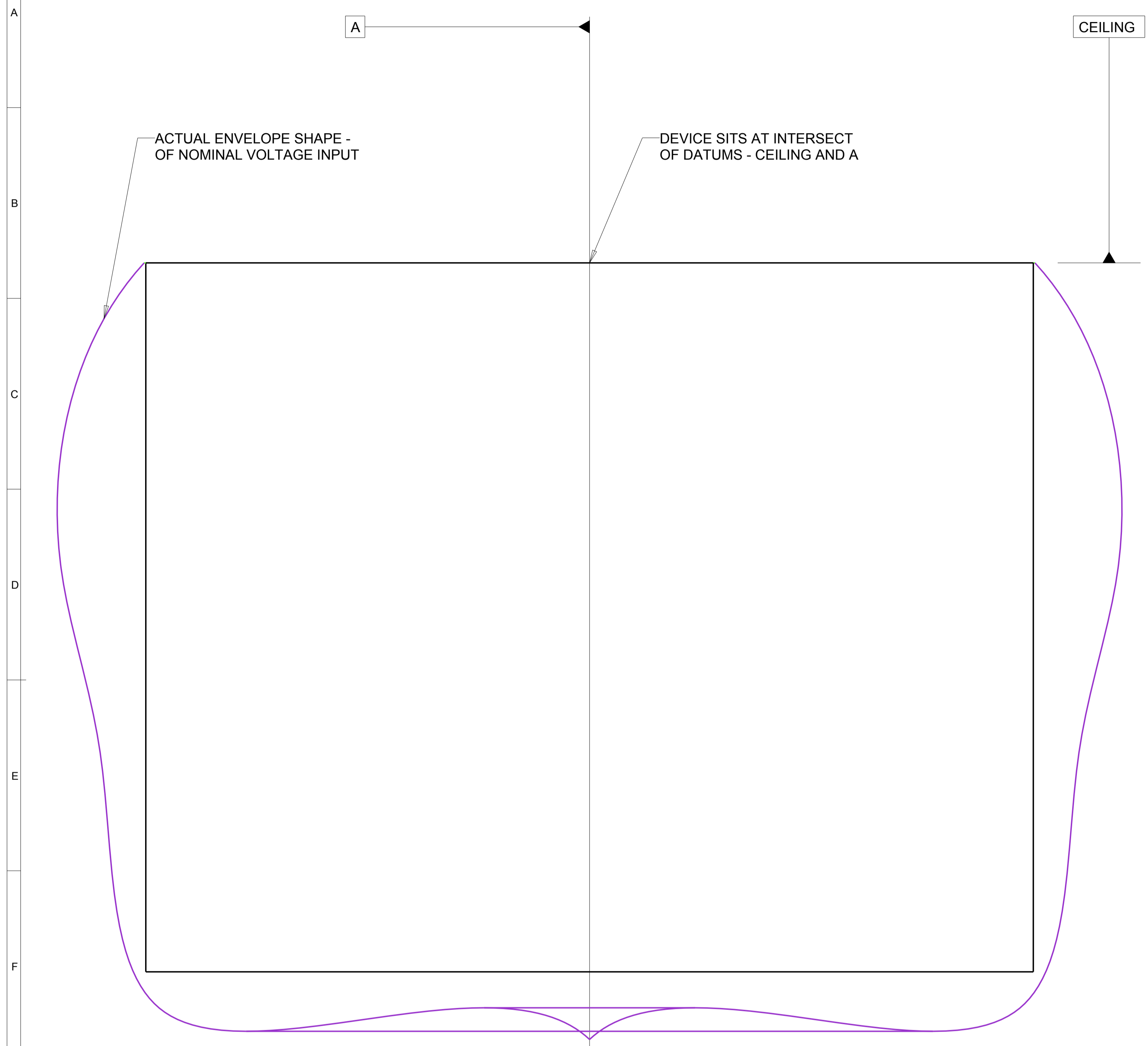
THIS DRAWING CONTAINS INFORMATION RELATING TO THE PROPOSED COVERAGE AREA OF EN54:23 W CLASS CONVENTIONAL AUDIBLE VISUAL PRODUCTS, MANUFACTURED BY KAC ALARM COMPANY. THIS DRAWING IS TO AID APPROVALS BODIES IN TESTING THE CAV PRODUCTS AGAINST THE EN54:23 STANDARD FOR LIGHT OUTPUT. ALL DIMENSIONS ARE IN MM.

DRAWING NOTES:

1. THE DRAWING TABLE TO THE RIGHT OF THE DIAGRAM DENOTES VALUES FOR THE "KEY" ITEMS DETAILED ON THE DRAWING GEOMETRY TO THE LEFT OF THE DRAFT.
2. THE DRAWING TABLE COVERS HIGH-OUTPUT CATEGORY W VISUAL ALARM DEVICES FOR BOTH WHITE AND RED LIGHT.
3. THE DATA CLOUD FORMULATED INTO THE GEOMETRY SHAPE ABOVE HAS BEEN CONSTRUCTED FROM THE MEASUREMENTS WHERE 1 CANDELA IS ACHIEVED. SOME ASSUMPTIONS HAVE BEEN MADE.
4. DIMENSIONS ARE LABELLED IN MM AND METRES.
5. INSTALLATION ORIENTATION IS NOT INCLUDED AS THE DEVICES ARE OMNI-DIRECTIONAL BY NATURE. AS THE WORST CASE OUTPUT MEASUREMENT FOR EACH COMBINATION OF ALPHA AND BETA ANGLES HAS BEEN USED, THERE IS NO REQUIREMENT TO SPECIFY A CORRECT ORIENTATION OF INSTALLATION. THIS POINT IS NEGLIGABLE FOR C CATEGORY DEVICES.

| | | |
|---|---|-----------------------------|
| <p>KAC ALARM COMPANY LIMITED KAC House, Thornhill Road, North Merton Road, Rushch, Worsborough S19 9ND, UK TEL: +44 (0) 1527 456565 FAX: +44 (0) 1527 456577 KAC Alarm Company Ltd - CONFIDENTIAL</p> | TITLE: WCAV EN54:23 W-CLASS OUTPUT | DRG No: 132998 |
| | SCALE: N/A | ISSUE: 2 |
| | SEE TABLE | SEE NOTES |
| | TOLERANCES (UNLESS OTHERWISE STATED) | CHARACTERISTICS STOCK CODES |
| GENERAL: ±0.20 | THIS SYMBOL INDICATES KEY MEASUREMENT FOR CONFORMITY TO SPECIFICATION (SEE SPECIFICATION 19001) | DATE: 01/JUL/13 |
| FINISH: AS SUPPLIED | APPR BY: PTC | DATE: 07/03/14 |

| DATE | ISSUE | DCN | REVISION | ALT. | APPR. |
|-----------|-------|------|---|------|-------|
| 28/JUN/13 | A | | FIRST ISSUE | AJC | PTC |
| 24/07/13 | B | | LIGHT COVERAGE FOR RED LED AMENDED | AJC | AJC |
| 04/02/14 | 1 | 1249 | ALIGNING DATA WITH NEW MEASUREMENTS FROM LPCB | AJC | PTC |
| 24/02/14 | 2 | 1264 | ALIGNING WITH MEASURED DATA FROM LPCB | AJC | PTC |
| 06/03/14 | 3 | 1267 | ADDITION OF COVERAGE VOLUME COLUMN IN M ³ TO DRAWING TABLE | AJC | PTC |



1 TABLE CONTENTS FOR COVERAGE CHANGED - LAST 3 COLUMNS (ALL DATA)

| CLASS OF APPROVAL | DEVICE | LED COLOUR | OPERATING VOLTAGE | INSTALLATION HEIGHT (MAXIMUM) | COVERAGE CYLINDER DIAMETER (MAX) | COVERAGE CYLINDER M ³ | APPROVALS CLASSIFICATION |
|-------------------|--------|------------|-------------------|-------------------------------|----------------------------------|----------------------------------|--------------------------|
| C | CWST | WHITE | 12 VOLTS | 3 METRES | 9.50 METRES | 212.6 M ³ | C-3-9.5 |
| C | CWST | WHITE | 12 VOLTS | 6 METRES | 9.50 METRES | 425.3 M ³ | C-6-9.5 |
| C | CWST | WHITE | 12 VOLTS | 9 METRES | 9.50 METRES | 637.9 M ³ | C-9-9.5 |
| C | CWST | WHITE | 19 VOLTS | 3 METRES | 9.50 METRES | 212.6 M ³ | C-3-9.5 |
| C | CWST | WHITE | 19 VOLTS | 6 METRES | 9.50 METRES | 425.3 M ³ | C-6-9.5 |
| C | CWST | WHITE | 19 VOLTS | 9 METRES | 9.50 METRES | 637.9 M ³ | C-9-9.5 |
| C | CWST | WHITE | 24 V (NOM) | 3 METRES | 9.50 METRES | 212.6 M ³ | C-3-9.5 |
| C | CWST | WHITE | 24 V (NOM) | 6 METRES | 9.50 METRES | 425.3 M ³ | C-6-9.5 |
| C | CWST | WHITE | 24 V (NOM) | 9 METRES | 9.50 METRES | 637.9 M ³ | C-9-9.5 |
| C | CWST | WHITE | 30 VOLTS | 3 METRES | 9.50 METRES | 212.6 M ³ | C-3-9.5 |
| C | CWST | WHITE | 30 VOLTS | 6 METRES | 9.50 METRES | 425.3 M ³ | C-6-9.5 |
| C | CWST | WHITE | 30 VOLTS | 9 METRES | 9.50 METRES | 637.9 M ³ | C-9-9.5 |
| C | CWST | RED | 12 VOLTS | 3 METRES | 9.40 METRES | 208.2 M ³ | C-3-9.4 |
| C | CWST | RED | 12 VOLTS | 6 METRES | 8.20 METRES | 316.8 M ³ | C-6-8.2 |
| C | CWST | RED | 19 VOLTS | 3 METRES | 9.40 METRES | 208.2 M ³ | C-3-9.4 |
| C | CWST | RED | 19 VOLTS | 6 METRES | 8.20 METRES | 316.8 M ³ | C-6-8.2 |
| C | CWST | RED | 24 V (NOM) | 3 METRES | 9.40 METRES | 208.2 M ³ | C-3-9.4 |
| C | CWST | RED | 24 V (NOM) | 6 METRES | 8.20 METRES | 316.8 M ³ | C-6-8.2 |
| C | CWST | RED | 30 VOLTS | 3 METRES | 9.40 METRES | 208.2 M ³ | C-3-9.4 |
| C | CWST | RED | 30 VOLTS | 6 METRES | 8.20 METRES | 316.8 M ³ | C-6-8.2 |
| C | CWSS | WHITE | 12 VOLTS | 3 METRES | 10.00 METRES | 235.6 M ³ | C-3-10 |
| C | CWSS | WHITE | 12 VOLTS | 6 METRES | 10.00 METRES | 471.2 M ³ | C-6-10 |
| C | CWSS | WHITE | 19 VOLTS | 3 METRES | 10.00 METRES | 235.6 M ³ | C-3-10 |
| C | CWSS | WHITE | 19 VOLTS | 6 METRES | 10.00 METRES | 471.2 M ³ | C-6-10 |
| C | CWSS | WHITE | 24 V (NOM) | 3 METRES | 10.00 METRES | 235.6 M ³ | C-3-10 |
| C | CWSS | WHITE | 24 V (NOM) | 6 METRES | 10.00 METRES | 471.2 M ³ | C-6-10 |
| C | CWSS | WHITE | 30 VOLTS | 3 METRES | 10.00 METRES | 235.6 M ³ | C-3-10 |
| C | CWSS | WHITE | 30 VOLTS | 6 METRES | 10.00 METRES | 471.2 M ³ | C-6-10 |
| C | CWSS | RED | 12 VOLTS | 3 METRES | 8.90 METRES | 186.6 M ³ | C-3-8.9 |
| C | CWSS | RED | 12 VOLTS | 6 METRES | 8.20 METRES | 316.9 M ³ | C-6-8.2 |
| C | CWSS | RED | 19 VOLTS | 3 METRES | 8.90 METRES | 186.6 M ³ | C-3-8.9 |
| C | CWSS | RED | 19 VOLTS | 6 METRES | 8.20 METRES | 316.9 M ³ | C-6-8.2 |
| C | CWSS | RED | 24 V (NOM) | 3 METRES | 8.90 METRES | 186.6 M ³ | C-3-8.9 |
| C | CWSS | RED | 24 V (NOM) | 6 METRES | 8.20 METRES | 316.9 M ³ | C-6-8.2 |
| C | CWSS | RED | 30 VOLTS | 3 METRES | 8.90 METRES | 186.6 M ³ | C-3-8.9 |
| C | CWSS | RED | 30 VOLTS | 6 METRES | 8.20 METRES | 316.9 M ³ | C-6-8.2 |

3 ENTIRE COLUMN

GENERAL NOTE:

THIS DRAWING CONTAINS INFORMATION RELATING TO THE PROPOSED COVERAGE AREA OF EN54:23 C CLASS CONVENTIONAL AUDIBLE VISUAL PRODUCTS, MANUFACTURED BY KAC ALARM COMPANY. THIS DRAWING IS TO AID APPROVALS BODIES IN TESTING THE CAV PRODUCTS AGAINST THE EN54:23 STANDARD FOR LIGHT OUTPUT. ALL DIMENSIONS ARE IN MM.

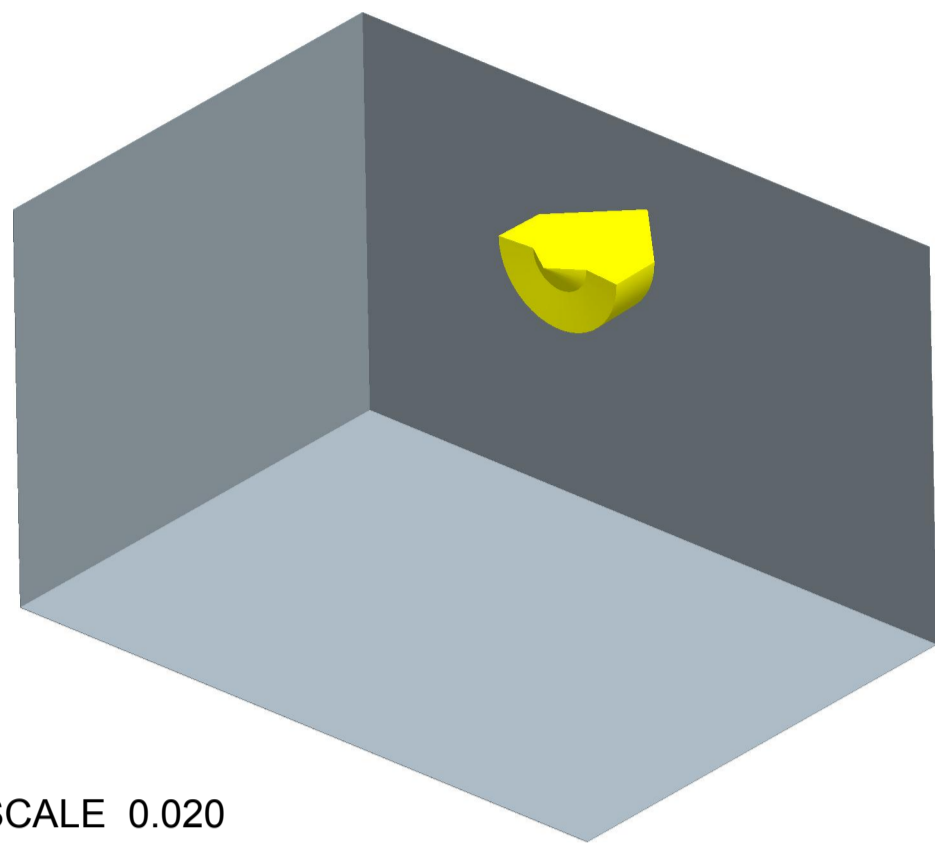
DRAWING NOTES:

1. THE DRAWING TABLE TO THE RIGHT OF THE DIAGRAM DENOTES VALUES FOR THE "KEY" ITEMS DETAILED ON THE DRAWING GEOMETRY TO THE LEFT OF THE DRAFT.
2. THE DRAWING TABLE COVERS HIGH-OUTPUT CATEGORY C VISUAL ALARM DEVICES FOR BOTH WHITE AND RED LIGHT.
3. THE DATA CLOUD FORMULATED INTO THE GEOMETRY SHAPE ABOVE HAS BEEN CONSTRUCTED FROM THE MEASUREMENTS WHERE 1 CANDELA IS ACHIEVED. SOME ASSUMPTIONS HAVE BEEN MADE.
4. DIMENSIONS ARE LABELLED IN MM AND METRES.
5. INSTALLATION ORIENTATION IS NOT INCLUDED AS THE DEVICES ARE OMNI-DIRECTIONAL BY NATURE. AS THE WORST CASE OUTPUT MEASUREMENT FOR EACH COMBINATION OF ALPHA AND BETA ANGLES HAS BEEN USED, THERE IS NO REQUIREMENT TO SPECIFY A CORRECT ORIENTATION OF INSTALLATION. THIS POINT IS NEGLIGABLE FOR C CATEGORY DEVICES.

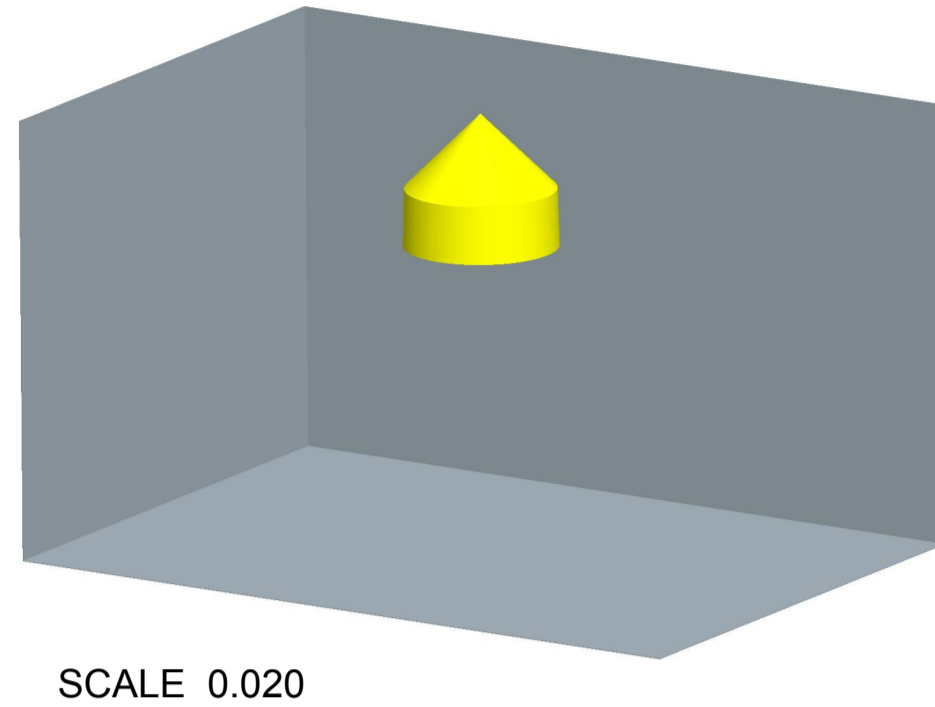
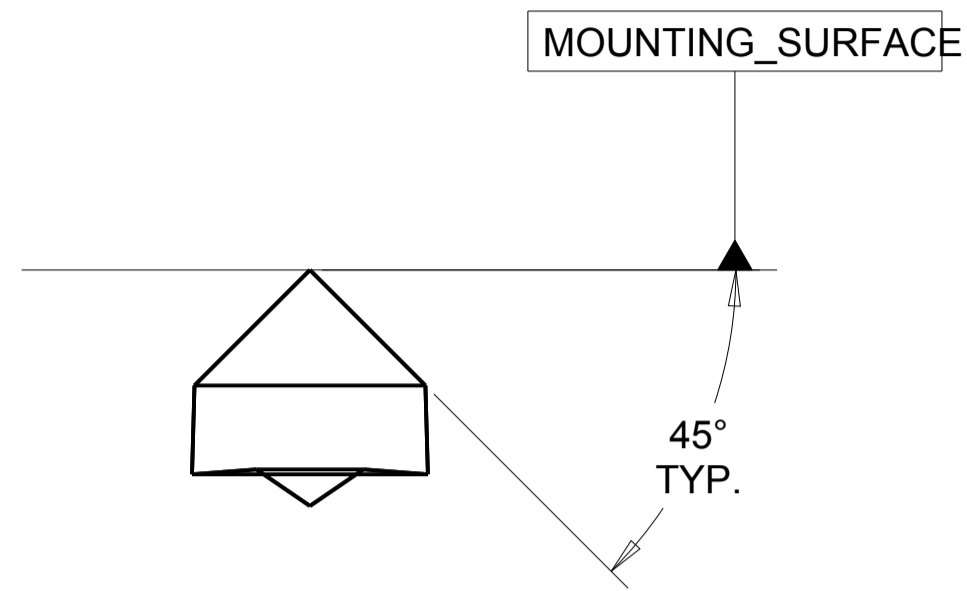
| | | | | |
|---|--|--|--|--|
| | | WCAV EN54:23 C-CLASS OUTPUT | | ORG No- 132997 |
| KAC ALARM COMPANY LIMITED KAC House, Thornhill Road, North Merton Road, Redditch, Worcestershire B99 9ND, UK TEL: +44 (0) 1527 456565 FAX: +44 (0) 1527 456577 | | SEE TABLE TOLERANCES (UNLESS OTHERWISE STATED) GENERAL ±0.20 HOLE DIA. +0.20/0.00 ANGLE/LAS ±30° | | SCALE: N/A ISSUE: 3 DRAWN BY: AJC DATE: 28/JUN/13 APPR BY: PTC DATE: 07/03/14 |

'O' CATEGORY VAD FOR WALL MOUNTING - LOW OUTPUT @ NOMINAL 24 VOLT SUPPLY

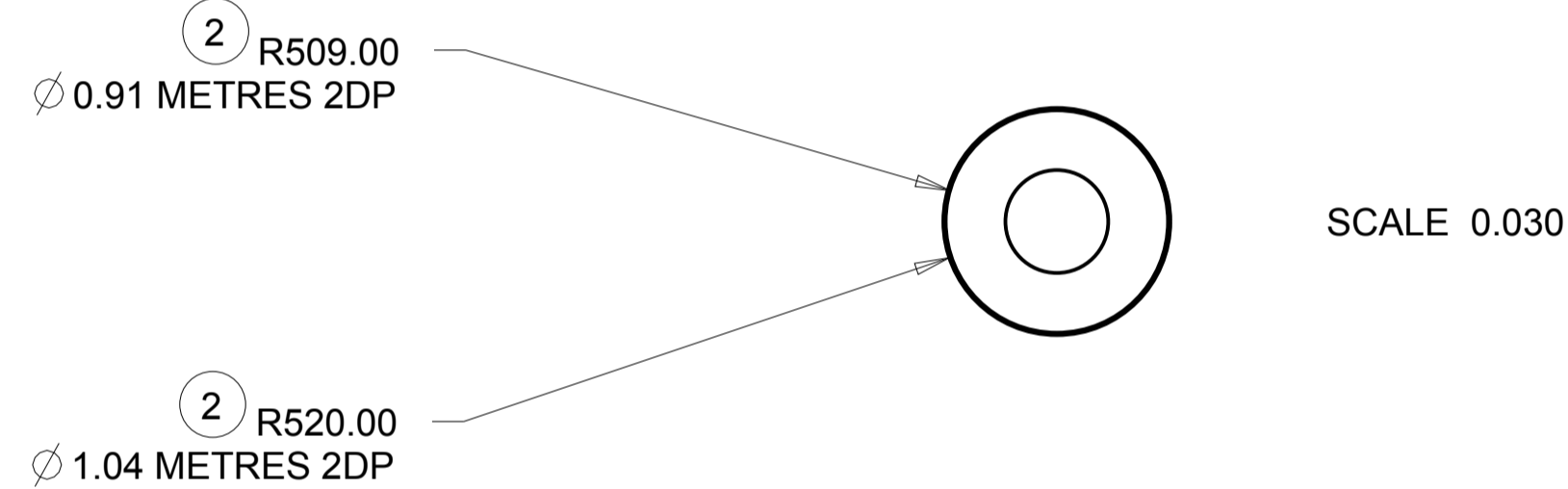
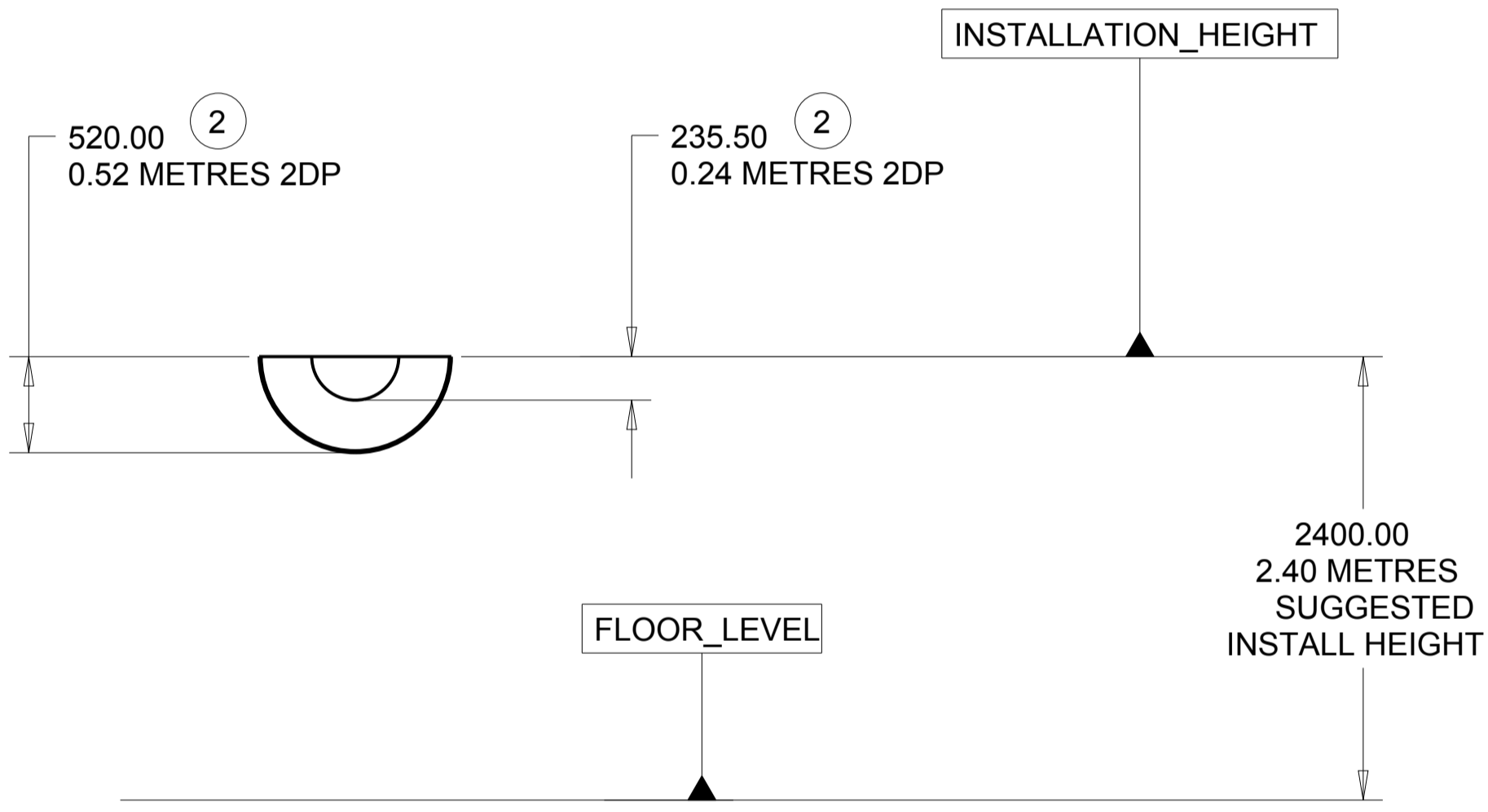
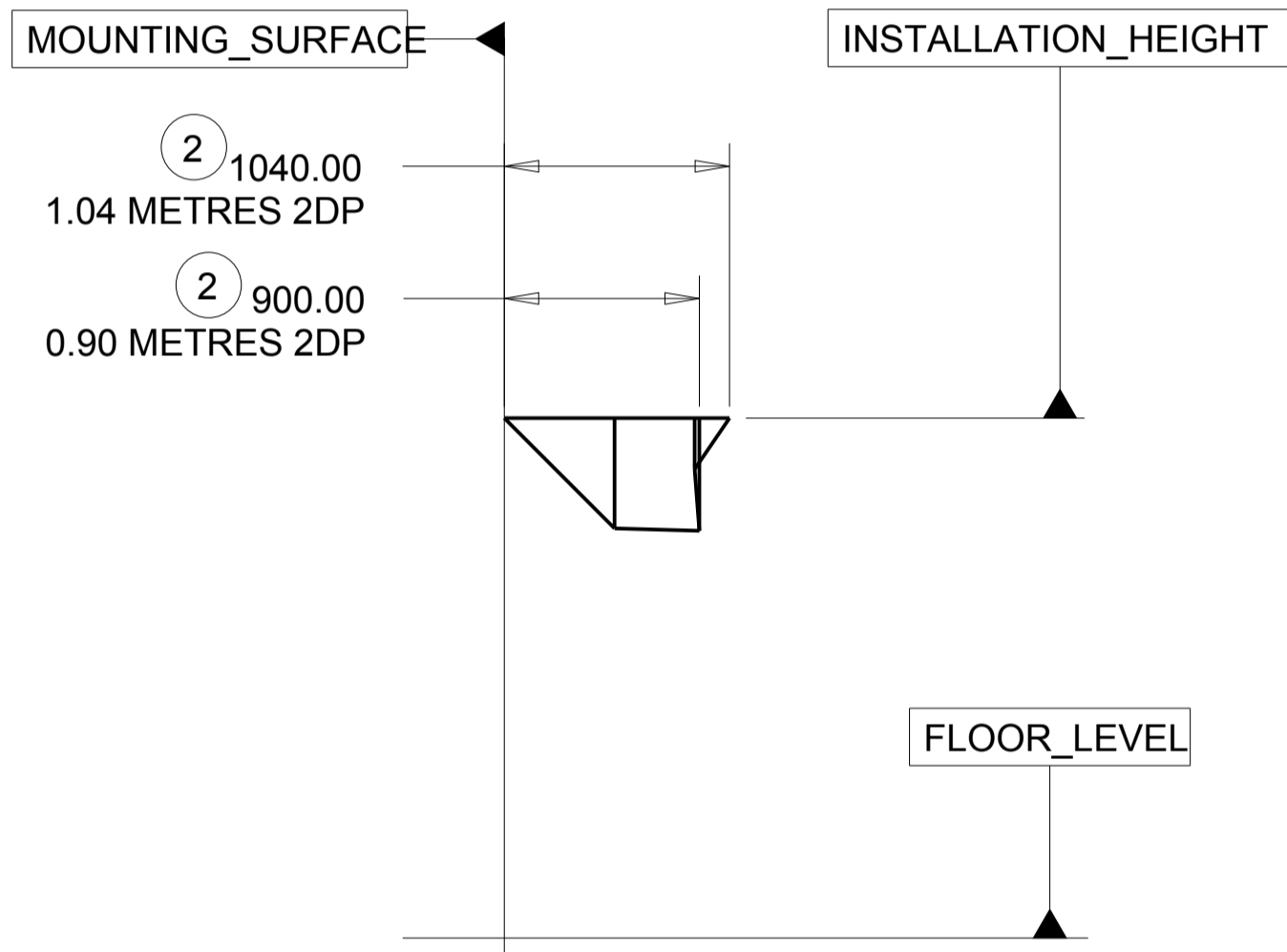
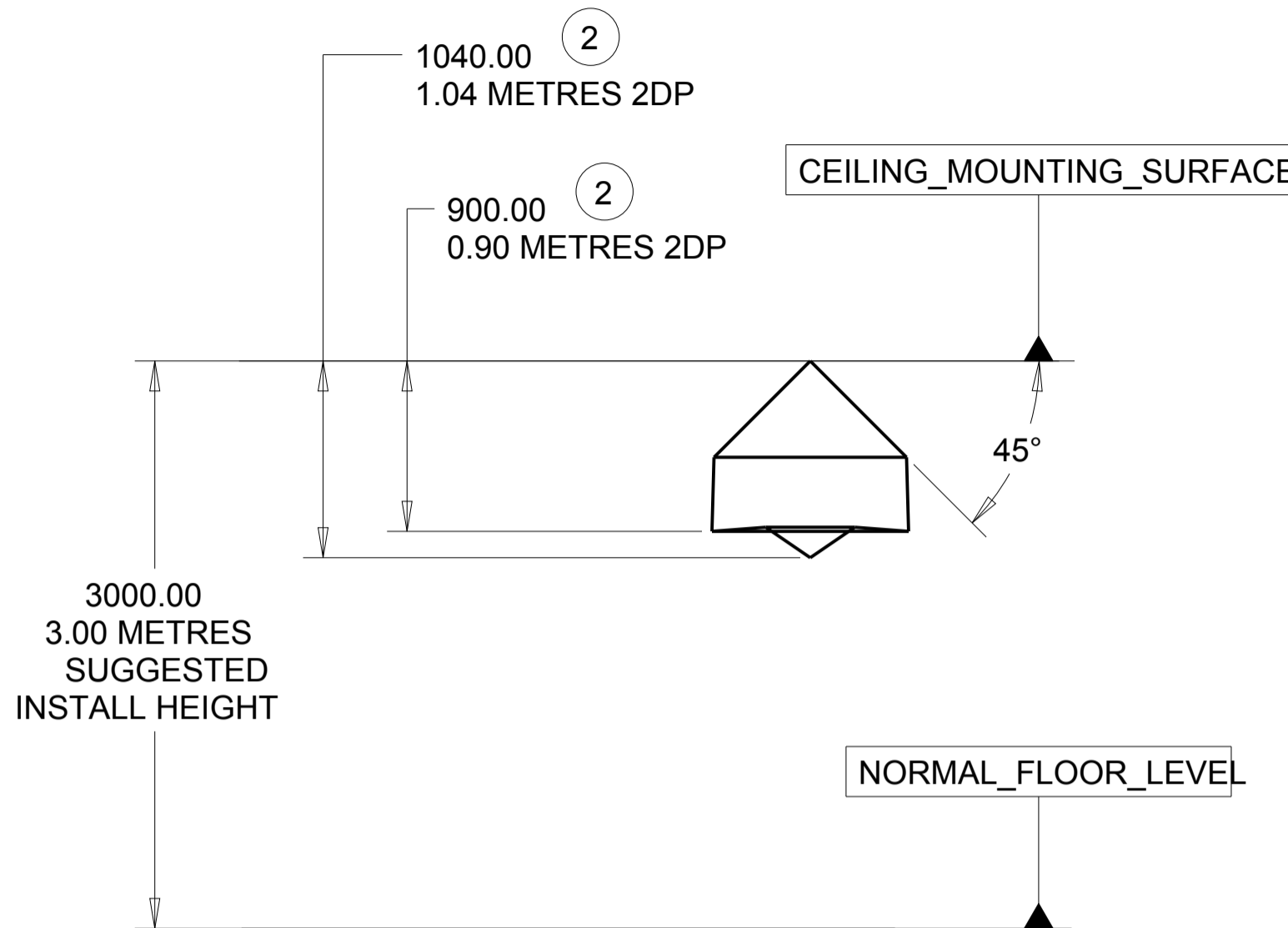
'O' CATEGORY VAD FOR CEILING MOUNTING - LOW OUTPUT @ NOMINAL 24 VOLT SUPPLY



SCALE 0.030



SCALE 0.020



ENTIRE COLUMN

| CLASS OF APPROVAL | ORIENTATION | DEVICE | LED COLOUR | OPERATING VOLTAGE | INSTALLATION HEIGHT (Z) | COVERAGE VOLUME (MAX) | COVERAGE SHAPE (MAX) | OUTPUT COVERAGE | APPROVALS CLASSIFICATION |
|-------------------|-------------|--------|------------|-------------------|-------------------------|-----------------------|----------------------|-----------------|--------------------------|
| O | WALL | CWSS | RED | 24 V (NOM) | 2.40 METRES | 0.23 M³ 2DP | SEE DRAWING ABOVE | LOW | WALL MOUNTED O-CLASS |
| O | WALL | CWSS | RED | 30 VOLTS | 2.40 METRES | 0.23 M³ 2DP | SEE DRAWING ABOVE | LOW | WALL MOUNTED O-CLASS |
| O | CEILING | CWSS | RED | 24 V (NOM) | 3.00 METRES | 0.46 M³ 2DP | SEE DRAWING ABOVE | LOW | CEILING MOUNTED O-CLASS |
| O | CEILING | CWSS | RED | 30 VOLTS | 3.00 METRES | 0.46 M³ 2DP | SEE DRAWING ABOVE | LOW | CEILING MOUNTED O-CLASS |

GENERAL NOTE:

THIS DRAWING CONTAINS INFORMATION RELATING TO THE PROPOSED COVERAGE AREA OF EN54:23 O CLASS CONVENTIONAL AUDIBLE VISUAL PRODUCTS, MANUFACTURED BY KAC ALARM COMPANY. THIS DRAWING IS TO AID APPROVALS BODIES IN TESTING THE CAV PRODUCTS AGAINST THE EN54:23 STANDARD FOR LIGHT OUTPUT. ALL DIMENSIONS ARE IN MM.

DRAWING NOTES:

1. THE DRAWING TABLE TO THE RIGHT OF THE DIAGRAM DENOTES VALUES FOR THE "KEY" ITEMS DETAILED ON THE DRAWING GEOMETRY TO THE LEFT OF THE DRAFT.
2. THE DRAWING TABLE COVERS HIGH-OUTPUT CATEGORY O VISUAL ALARM DEVICES FOR RED LIGHT, AND LOW-OUTPUT CATEGORY O VISUAL ALARM DEVICES FOR RED LIGHT.
2. THE DATA CLOUD FORMULATED INTO THE GEOMETRY SHAPE ABOVE HAS BEEN CONSTRUCTED FROM THE MEASUREMENTS WHERE 1 CANDELA IS ACHIEVED. SOME ASSUMPTIONS HAVE BEEN MADE.
3. THE CUBE AND CONE OF LIGHT (FOR HIGH AND LOW OUTPUT RESPECTIVELY) IN ACCORDANCE TO THE EN54:23 SPECIFICATION SIT WITHIN SAID DATA CLOUD TO PROVIDE A COVERAGE SAFETY MARGIN.
4. DIMENSIONS ARE LABELLED IN MM AND METRES.
5. INSTALLATION ORIENTATION IS NOT INCLUDED AS THE DEVICES ARE OMNI-DIRECTIONAL BY NATURE. AS THE WORST CASE OUTPUT MEASUREMENT FOR EACH COMBINATION OF ALPHA AND BETA ANGLES HAS BEEN USED, THERE IS NO REQUIREMENT TO SPECIFY A CORRECT ORIENTATION OF INSTALLATION. THIS POINT IS NEGLIGABLE FOR C CATEGORY DEVICES.
6. THE GEOMETRY SHAPE FOR THE LOW OUTPUT O CATEGORY VAD'S IS WITH EFFECT THE SAME. THE WALL VOLUME IS REPRESENTED AS A HALF HEMISPHERE OF THE CEILING VOLUME. ANY DIMENSIONAL DATA REQUIRED IS SHARED BETWEEN THE 2 GEOMETRY VIEWS FOR WALL AND CEILING VARIANTS.

| | | | | |
|--|--|--|-----------------------|------------------------|
| <p>KAC ALARM COMPANY LIMITED KAC House, Thornhill Road, North Merton Road, Rushch, Worcestershire B69 9ND, UK TEL: +44 (0) 1527 456565 FAX: +44 (0) 1527 456677 KAC Alarm Company Ltd - CONFIDENTIAL</p> | <p>TITLE: WCAV EN54:23 O-CLASS OUTPUT</p> | | <p>DRG No: 132999</p> | |
| | <p>SEE TABLE</p> | <p>SEE NOTES</p> | <p>SCALE: N/A</p> | <p>ISSUE: 2</p> |
| | <p>TOLERANCES (UNLESS OTHERWISE STATED)</p> | <p>CHARACTERISTICS</p> | <p>STOCK CODE:</p> | <p>DRWN BY: AJC</p> |
| | <p>GENERAL: ±0.20 HOLE DIA: +0.20/-0.00 TO SPECIFICATION: SEE SPECIFICATION (REF: IEC 60947-5-10:2005)</p> | <p>THIS SYMBOL INDICATES KEY MEASUREMENT FOR CONFORMITY TO SPECIFICATION (SEE SPECIFICATION IEC 60947-5-10:2005)</p> | <p>APPR BY: PTC</p> | <p>DATE: 01/JUL/13</p> |
| <p>© The copyright in this drawing belongs to KAC Alarm Company Ltd and should not be used, disclosed or copied without prior written consent.</p> | | <p>DATE: 24/02/14</p> | | |