



SOU-XXX-4

'XXX' represents the code for the mounting box supplied.

LPR low profile Red

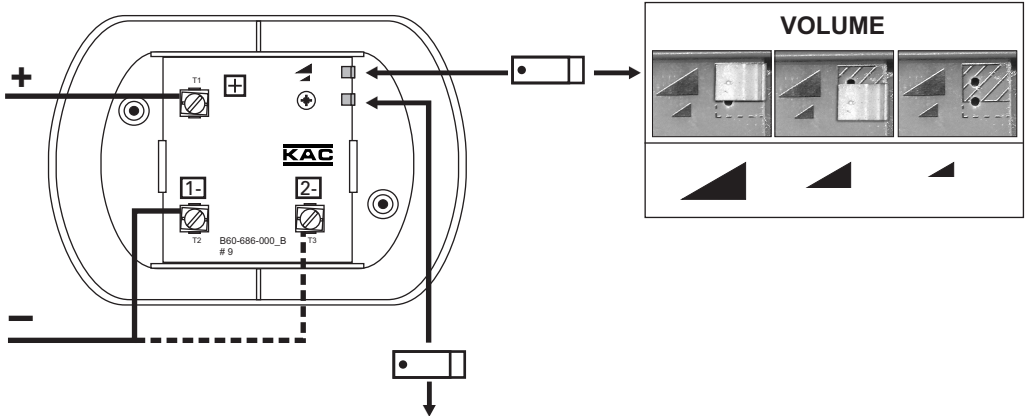
SR Standard profile Red

SSR Standard profile Red + sealing kit

LPW low profile White

SW Standard profile White

SSW Standard profile White + sealing kit



CONNECTION TERMINALS			LINK	TONE	
+	1-	2-	⊗		
✓	✓		✓	—	800Hz continuous
✓		✓	✓	⎓	800Hz/1000Hz alternating
✓	✓			—/—	500Hz/1200Hz slow whoop
✓		✓		⎓	800Hz DIN tone

Specification

Voltage Range

12VDC (10V to 14V)

24VDC (21V to 27V)

Output

max.97dB(A) @ 1mtr

Sounder Output data, in accordance with EN54-3, is available on request, or via the website

Current

12mA @ 24VDC (800Hz continuous, High Volume)

Max wire size

2.5mm²

Temperature Range

-30 to +70° C (subject to confirmation)

IP Rating

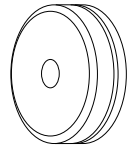
Meets the requirements of EN54-3, Type A IP21C

KAC Alarm Company Limited. KAC House, Thornhill Road,
North Moons Moat, Redditch, B98 9ND, England.

Tel: +44 (0) 1527 406655 Fax: +44 (0) 1527 406677 www.kac.co.uk



INSTALLATION INSTRUCTIONS FOR WALL MOUNT SOUNDERS TYPE DBS-X-4

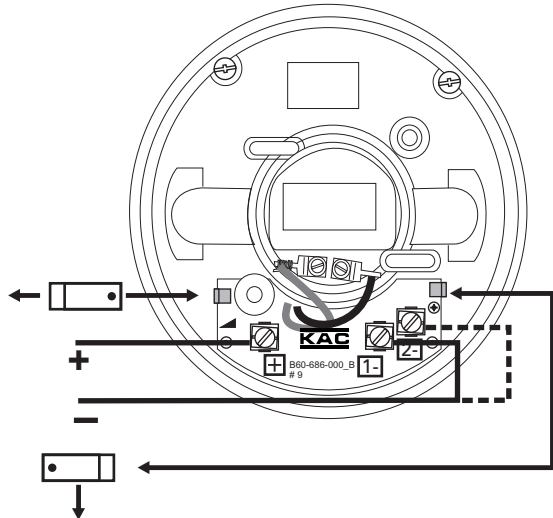
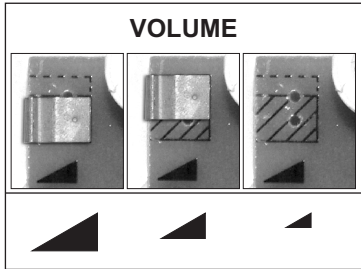


DBS-X-4

'X' represents the colour of the Lid if supplied.

R Red

W White



CONNECTION TERMINALS			LINK	TONE	
+	1-	2-	⊕		
✓	✓		✓	—	800Hz continuous
✓		✓	✓	⎓	800Hz/1000Hz alternating
✓	✓			—	500Hz/1200Hz slow whoop
✓		✓		⎓	800Hz DIN tone

Specification

Voltage Range	12VDC (10V to 14V) 24VDC (21V to 27V)
Output	max.92dB(A) @ 1mtr Sounder Output data, in accordance with EN54-3, is available on request, or via the website (details below). Document ref: D 531.
Current	12mA @ 24VDC (800Hz continuous, High Volume)
Max wire size	2.5mm ²
Temperature Range	-30 to +70° C (subject to confirmation) Meets the requirements of EN54-3, Type A IP21C