

Setting the Standard with ENscape EN54-23 and how it affects you

EN54-23 is a new European standard for Visual Alarm Devices (VADS). Its purpose is to ensure that light output is defined in a uniform manner across Europe. This means that all beacons used as a primary method of notification must have the capability to alert all members of society to an evacuation including the hearing impaired.

Key requirements

The standard sets a base level for performance. Each model must be tested by the manufacturer to establish a light coverage envelope. Compliance is **mandatory under European law from 1st January 2014 in Europe**. It affects all fixed installation pulsing or flashing devices that use software for their operation, e.g. LED, Xenon or rotating beacons.

Applications

EN54-23 affects many applications helping to ensure safe evacuation in a variety of scenarios and locations:

- Areas where people may be alone e.g. hotel rooms and public conveniences
- Environments with high levels of ambient noise - machine rooms, gymnasiums, auditoriums
- Public escape routes - corridors and stairwells
- Care homes and accommodation for the elderly
- Leased commercial or residential properties
- Buildings with rooms equipped for the disabled

C,W & O Categories

EN54-23 requirements are broken down into three categories: W, Wall; C, Ceiling, and O, Open. W Category devices are assessed in terms of the dimensions of the cube of light they cover and C Category devices are assessed as the diameter of a cylinder of light. The coverage of an O category device is a cuboid of light, defined by the manufacturer as independent of the EN54-23 height/placement requirements.

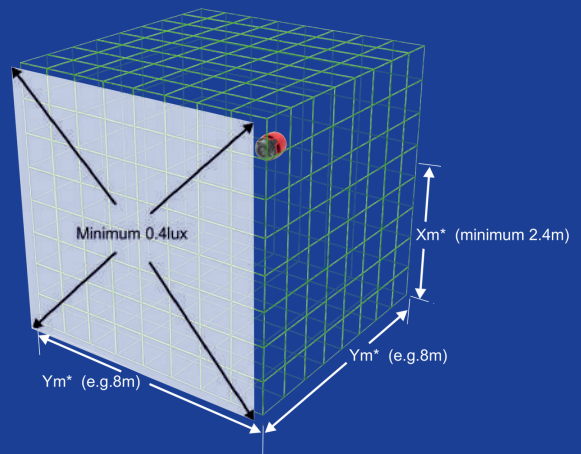
We make compliance easy

We understand that negotiating European Fire Standards can be challenging, that's why our expert team is on hand to offer advice and guidance, helping you choose the compliant device for a specific application.

Defined light coverage for wall mount (W Category) applications

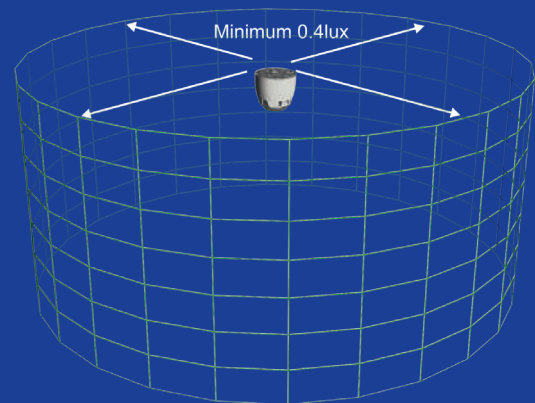
A cube of light with a minimum of 0.4 Lumens/m²

X & Y dimensions are defined by the device manufacturer



Defined light coverage for ceiling mount (C Category) applications

The diameter of a cylinder of light with a minimum of 0.4 Lumens/m²



Open Category (O Category) applications

The coverage of an O Category device is a cuboid of light, defined by the manufacturer as independent of the EN54-23 height/placement requirements.