

Intrinsically Safe Call Point Range

IS MCP 2 LED Model (Red Versions)



> Product Benefits

- Unique 'Plug & Play' installation concept
- Total 'Flex-Ability' in the choice of operating element
- Anti-Tamper facility
- Enhanced aesthetics
- Fully approved to the latest standards
- Backward compatibility



II 1 G EEx ia IIC T4
Sira 04ATEX2350X

Product Overview

An Intrinsically Safe version of our MCP2A indoor call point is available for installation in hazardous areas. These call points are manufactured to protect against other hazards, as defined in paragraph 1.2.7 of annex II of the ATEX Directive 94/9/EC. They are intended for use within Intrinsically Safe (I.S.) systems using suitable I.S. barriers. For a list of suitable barriers see reverse.

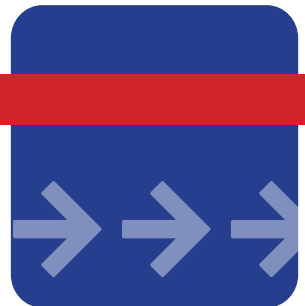
Installation efficiency, flexibility and full compliance with the latest standards are at the heart of the new Indoor Call Point range.

Installation time and ultimately cost, are of paramount importance to any fire or security installer. The MCP range directly reflects this need by providing a unique 'plug and play' concept designed specifically to reduce installation time. All new MCP products utilise a special terminal block, where all initial installation cabling is terminated. This terminal block is then simply connected to the back of the MCP. Simple, but effective with no re-termination required and no time wasted.

Through new standards and legislation, both break glass and resettable operating elements can now be used within a manual call point. To provide you with the greatest 'flex-ability', the new MCP range can be configured as either a break glass or resettable unit by simply changing from one element to another. No other additional parts or alternative products need to be ordered.

All MCP Indoor Call Point products also help preserve the integrity of the overall system as illegal removal of the product lid will result in the call point operating and the system going in to alarm.

The MCP2A product version is supplied with both a resistor and normally open clean contact electrical options. These options are easily utilised by simply connecting the terminal block to the required connection in the back of the MCP2 product. A variety of resistor versions are available, with both 470Ω and 680Ω offered as standard. However, other resistor types can be provided upon request. The MCP2B product version allows for connection to 'Sawwire' systems.





Electrical Specification


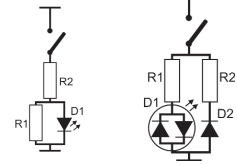
Connection Details:	See Figure .1
Cable Termination:	0.5-2.5mm ²
Maximum Voltage:	30VDC
Maximum current:	500mA
Maximum Power:	1W
Certification Details:	 II 1 G EEx ia IIC T4 Sira 04ATEX2350X

Figure .1
IS-MCP2A-X IS-MCP2B-X



Suitable IS Barriers:

**Pepperl & Fuchs -
MTL -**

KFDO-Cs-Ex 1.51P (BAS98ATEX7343), KFDO-Cs-Ex 2.51P (BAS98ATEX7343)
MTL4061 (BAS01ATEX7176), MTL5061 (BAS01ATEX7160)

A certified shunt zener barrier may be used having the following output parameters;

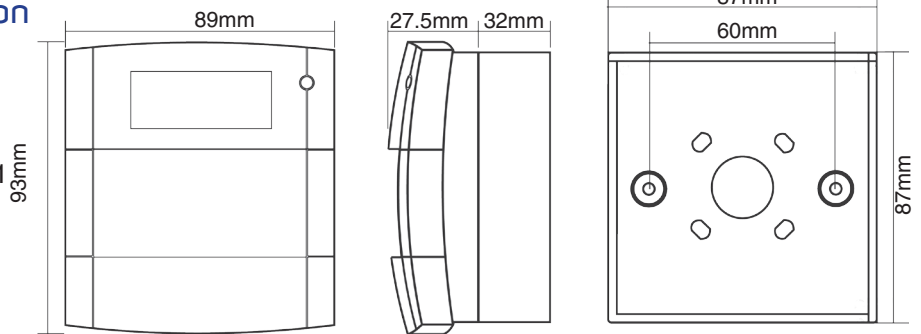
Uz - 28V, I_{max} - 93.3mA, W_{max} - 0.67W

Environmental Specification

Humidity:	93± 3% non-condensing
Ambient Temperature Range:	-10°C to + 55°C
Ingress Protection (IP) Rating:	IP24D
For RoHS, WEEE & REACH information please see	www.kac.co.uk

Mechanical Specification

Material:	PC/ABS
Weight:	130g Flush 180g Surface
Colour:	Red, Ral 3001



Ordering Information

Model	Electrical Configuration	Mounting Element	Operating	Markings
MCP2A-R470FG-K013-01IS	LED, 470Ω Resistor N/O contacts 30VDC	Flush	Glass	EN54-11
MCP2A-R470SG-K013-01IS	LED, 470Ω Resistor N/O contacts 30VDC	Surface	Glass	EN54-11
MCP2A-R470SF-K013-01IS	LED, 470Ω Resistor N/O contacts 30VDC	Surface	Flexi	EN54-11
MCP2B-R820SG-K013-01IS	LED, 820Ω Resistor N/O contacts 30VDC (SAV)	Surface	Glass	EN54-11

N/O = Normally Open Contact
SAV = Savwire system

Accessories

Code	Description
SC070	Pack Of Ten Test Keys
KG1 x 5	Pack Of Five Glass Elements (Also available in packs of 10, 25 & 50)
PS210	Flexible Operating Element
PS200	Plain Hinged Cover
SC071	Pack Of Twenty Terminal Blocks

> KAC Alarm Company Ltd

KAC House, Thornhill Road,
North Moons Moat, Redditch,
B98 9ND, United Kingdom
Tel: +44 (0) 1527 406655
Fax: +44 (0) 1527 406677
e-mail: marketing@kac.co.uk