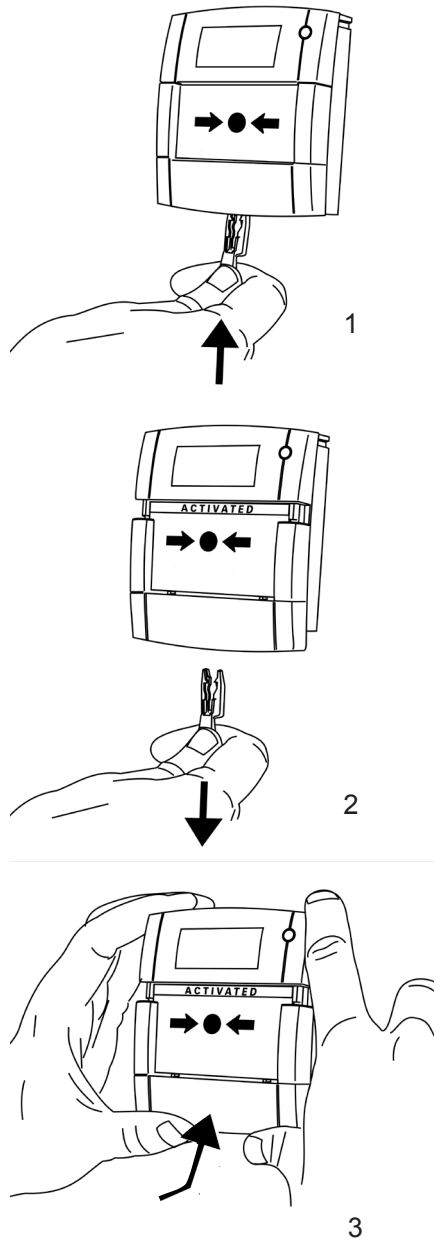
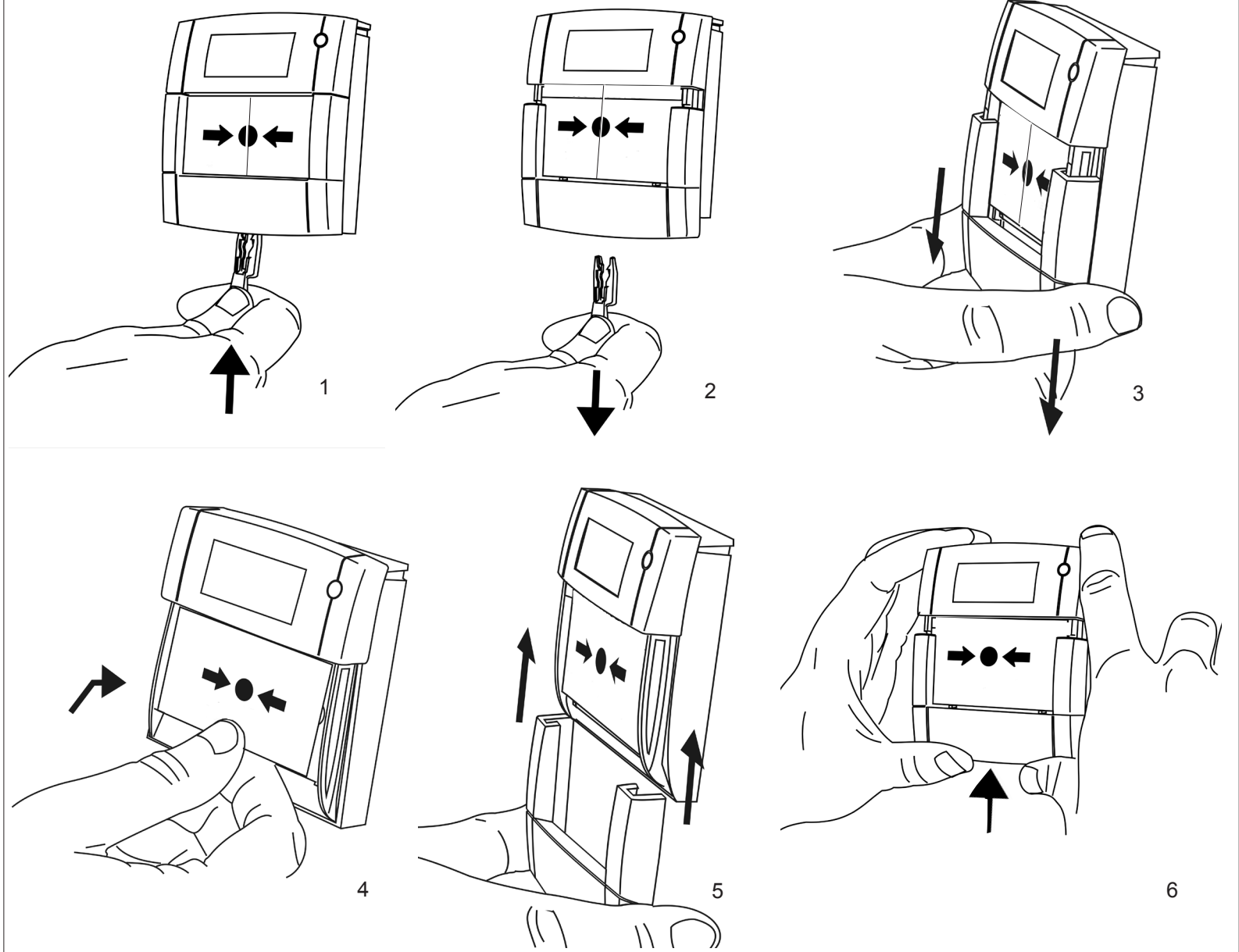


TO TEST & RESET**TO REPLACE GLASS / INTERCHANGE BETWEEN RESETTABLE AND GLASS ELEMENT**

GENERAL

The MCP5A models are designed for use as components of a compatible fire control system using appropriate analogue addressable devices.

Model MCP5A-xP##yz Advanced Protocol - non-Isolation.

This model provides both signalling of alarm to the monitoring control panel, and local led indication of activation.

Model MCP5A-xPyz** Advanced Protocol - with Isolation.

This model provides both signalling of alarm to the monitoring control panel, and local led indication of activation. This MCP also includes on board isolation, providing short circuit protection of the loop.

'x' represents the character used to indicate MCP colour.

'y' represents the character used to indicate MCP mounting option.

'z' represents the character used to indicate MCP element type.

"##" represents protocol ID: 01, 03, 05, etc is Non-Isolated

"**" represents protocol ID: 02, 04, 06 etc is Isolated

E.g. MCP5A-RP01SG = MCP5A Red, Advanced protocol, non-isolation, Surface Mounting, with Glass element.

LED STATUS (TRI COLOUR)

The LED status is controlled by Fire Panel commands and can be set to pulse Green each time the device is polled, or continuous Red to indicate Fire. Yellow is used to indicate isolator status

Note:- A minimum input voltage of 16.5V is required for correct LED operation. Under this threshold the device will switch off the LED output to reduce current draw.

MOUNTING ARRANGEMENTS

The MCP5A may be installed as either a flush or surface mounted device in a normal internal environment. It is not intended for use in an externally exposed or hazardous location (refer to your supplier for product recommendations should these applications be involved).

Flush: Will fit to European single switch/socket boxes when Surface mounted. A plastic mounting box is available. The plastic mounting box when supplied with the call point has included as part of the packing box a tear off template, which can be used for locating the cable entry holes.

Important Notes; - Please do not over tighten fixing screws.

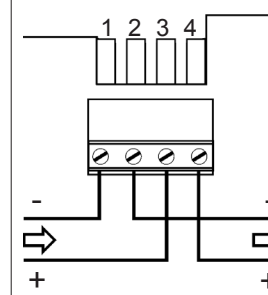
The use of lubricants, cleaning solvents or petroleum based products should be avoided.

INSTALLATION DETAILS - Please read carefully

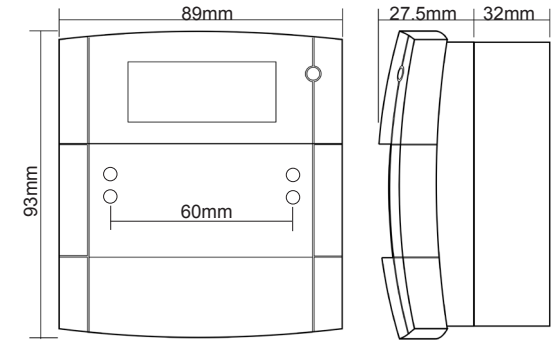
Do not connect circuit wiring to this call point, other field devices or the control panel, or apply power to any portion of the system until all necessary wiring polarity, continuity and insulation tests have been performed. All wiring must conform to applicable local and national regulations and codes of practice.

1. Terminate field wiring in the Push Fit Terminal Connector as shown taking care to maintain continuity of any shielding provided.
Positive (+) communication loop: Terminals 3 & 4
Negative (-) communication loop: Terminals 1 & 2
2. Set the call point address according to the designated project drawings by using a flat bladed screwdriver to turn the two rotary switches, selecting the desired number between 01 and 159. Note: The number of addresses available will be dependant on panel capability, check the panel documentation for confirmation. Address 00 set at the factory is recognised as a fault condition by the control panel.
3. Plug the Terminal connector onto the rear of the call point as shown.
4. Fix call point to mounting box taking care that all cables are secure and have sufficient clearance. Locate glass or flexible element in the front of the call point and close cover as shown.

CONNECTION DETAILS



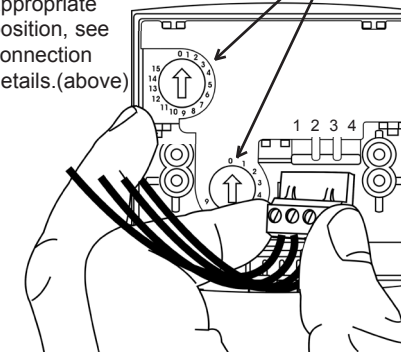
DIMENSIONS



PUSH FIT CONNECTOR

After wiring terminal connector, plug connector into appropriate position, see connection details.(above)

Selection Dials



2831 16

KAC ALARM COMPANY LIMITED,
Thornhill Road, Redditch, Worcestershire,
England. B98 9ND.

DOP003 - MCP5 Non-Isolated
DOP004 - MCP5 Isolated

EN54-11:2001/A1:2005

Fire detection and fire alarm systems -
Part 11: Manual call points.

EN54-17:2005/AC:2007

Fire detection and fire alarm systems - Part 17:
Short-circuit isolators.

MCP5

Note: This table only applies to red products.

TECHNICAL DATA

15V Min
32VDC Max

Quiescent 80µA Max (24V no comms)
Alarm 130µA Max (24V no comms)
 LED Red 1.9mA Typical
LED Yellow 6.7mA Typical

IP24D



110/160g



-10°C to +55°C



Red, Ral 3001
Yellow, Ral 1006
Green, Ral 6016
White, Ral 9010
Blue, Ral 5002

For isolator specification refer to document S00-368-000
available on request