

2831 16

KAC ALARM COMPANY LIMITED,
Thornhill Road, Redditch, Worcestershire, England. B98 9ND.

DOP005 - WCP5 Non-Isolated
DOP006 - WCP5 Isolated

EN54-11:2001/A1:2005
Fire detection and fire alarm systems - Part 11: Manual
call points.

EN54-17:2005/AC:2007
Fire detection and fire alarm systems - Part 17:
Short-circuit isolators.

WCP5

Note: This table is only applies to red products.

1. Terminate field wiring in the Push Fit Terminal Connector as shown taking care to maintain continuity of any shielding provided.
Positive (+) communication loop: Terminals 3 & 4
Negative (-) communication loop: Terminals 1 & 2

2. Set the call point address according to the designated project drawings by using a flat bladed screwdriver to turn the two rotary switches, selecting the desired number between 01 and 159. Note: The number of addresses available will be dependant on panel capability, check the panel documentation for confirmation. Address 00 set at the factory is recognised as a fault condition by the control panel.

3. Plug the Terminal connector onto the rear of the call point as shown.

4. Fix Cover to mounting box taking care that all cables are secure and have sufficient clearance.

IMPORTANT NOTES

The use of lubricants, cleaning solvents or petroleum based products should be avoided.

The integral back box has three 20mm diameter threaded holes. Two hole stoppers are provided for use as required. The cable entry holes of the back box must not be subjected to stress by the cable or conduit.

INSTALLATION DETAILS - Please read carefully

Do not connect circuit wiring to this call point, other field devices or the control panel, or apply power to any portion of the system until all necessary wiring polarity, continuity and insulation tests have been performed. All wiring must conform to applicable local and national regulations and codes of practice.

WIRING

Connection to the WCP is made via the 4 way terminal connector as shown overleaf
Each terminal will accommodate a conductor of 2.5mm².

EARTHING

An Earth Continuity Terminal is situated in the rear of the back box. This is designed to accommodate 2 conductors of up to 2.5mm².
An earthing plate is provided for continuity of metal conduits. This must be placed behind the back box prior to fixing the box to the wall.

Model WCP5A

These models are designed for use as components of a compatible fire control system using appropriate analogue addressable devices.

WCP5A-#PwwSx-yyyy-zz

‘#’ represents the character used to indicate WCP colour.
 ‘ww’ (Range 0-99 indicates the communication software protocol. Odd numbers (01,03,05,etc) represents protocol for non Isolated. Even numbers (02,04,06,etc.) represents protocol for Isolated model which provides short circuit protection of the loop.
 ‘SG’ (Glass element) ‘SF’ (Flexible element)
 ‘yyyy’ (Range A000 to Z999 or STCK for standard stocked product), indicates a customer account code. Only specific account codes are LPCB approved and indicated by the presence of the LPCB logo placed on the product label
 ‘zz’ (Range 0-99) indicates customer marking options detailed on KAC controlled drawing 08/2639

E.g. WCP5A-RP01SG = MCP5A Red, Advanced protocol, non-isolation, Surface Mounting, with Glass element.

GENERAL

These Call Points are suitable for IP67 environments.

LED STATUS (TRI COLOUR)

The LED status is controlled by Fire Panel commands and can be set to pulse Green each time the device is polled, or continuous Red to indicate Fire. Yellow is used to indicate isolator status.

WALL MOUNTING OF BACK BOX

Mount the back box to a suitably flat surface using the three fixing holes and the screws provided in the installation pack. The cable entry holes should be in the vertical plane. The back box can be mounted with either the single or the double entry holes at the top.

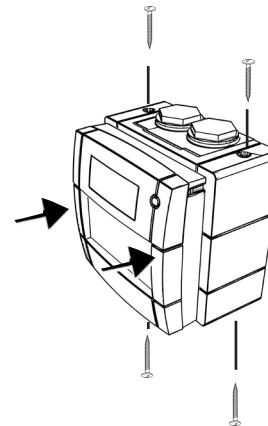
FITTING THE WCP COVER TO THE BACK BOX

Plug the 4 way terminal connector onto the appropriate position as shown. Ensure that the O-ring is correctly seated in the channel on the rear of the cover. Place the cover squarely over the back box and carefully push the cover until the locating clips have engaged. Do

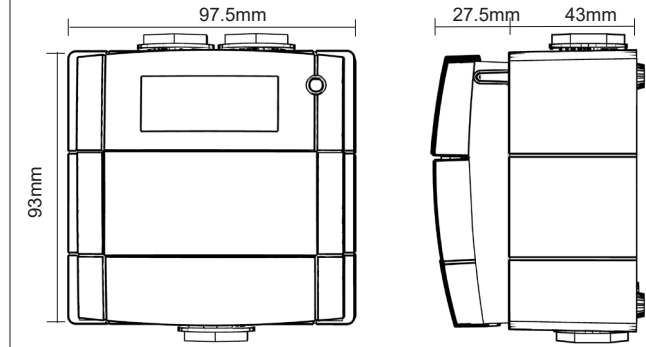
not use excessive force. It is recommended that the 4 cover fixing screws are used to lock the cover into place.

WCP COVER REMOVAL

To remove the cover, undo and remove the 4 Cover fixing screws. Place the edge of a large flat bladed screwdriver into the slot between the Cover and back box as shown in below and gently twist until the latches are disengaged. Pull cover away from the back box.

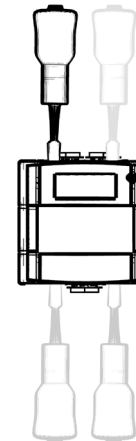
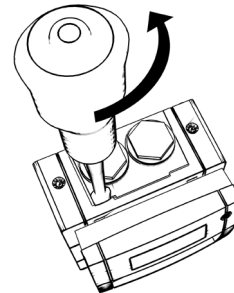
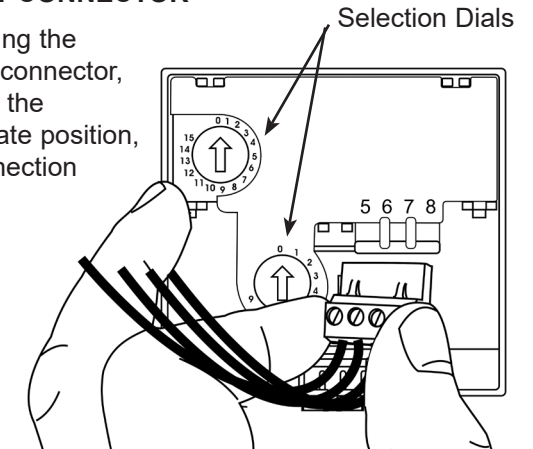


DIMENSIONS

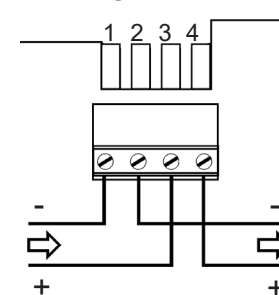


PUSH FIT CONNECTOR

After wiring the terminal connector, plug into the appropriate position, see connection details (left).



CONNECTION DETAILS



TECHNICAL DATA

15V Min
30VDC Max

Quiescent 80µA Max (24V no comms)
Alarm 130µA Typ (24V with comms)
LED Red 1.9mA Typical
LED Yellow 6.7mA Typical

IP67

For isolator specification refer to document S00-368-000 available on request

1kg

350g

°C

-25°C to +70°C

Red, Ral 3001
Yellow, Ral 1006
Green, Ral 6024
White, Ral 9010
Blue, Ral 5005

* - IP67 is not a requirement of EN54-11.