

METHODS OF FIXING

Flush Installations

The call point fits directly onto a U.K. switch/socket box. A minimum depth of 25mm is required. Fixing is via the two M3.5 x30mm screws (provided in the installation pack) through the relevant holes in the front of the call point. The cassette and glass will need to be removed to facilitate fixing.

Surface Installations

A choice of Plastic or metal mounting boxes is available. The pack box for the plastic box has a tear off template for locating cable entry holes.

The metal box has pre drilled 20mm diameter holes suitable for cable glands or conduit. Fixing is via the two M3.5 x 30mm screws (provided in the installation pack) through the relevant holes in the front of the call point. The cassette and glass will need to be removed to facilitate fixing. It is important that the metal box is protected from impact and friction when installed.

Fitting to other boxes

Range of mounting accessories is available to suit specific needs.

IMPORTANT NOTE: PLEASE DO NOT OVER TIGHTEN FIXING SCREWS

COSHH - Glass

Care must be taken when removing broken glass from the call point. An adhesive Vinyl label fitted to the front of the glass should keep glass fragments together but there is a small risk that glass shards may be present.

INSTALLATION CONSIDERATIONS

The call points should be installed in a position where they will not be subjected to mechanical stresses, and where the temperature is within the Operating Temperature range.

Areas where there are, or are likely to be, aggressive substances should be avoided. Details of the materials used in the construction of the call point and likely harmful substances can be obtained from the manufacturer at the address below.

The use of lubricants, cleaning solvents or petroleum based products should be avoided.

MAINTENANCE

Apart from regular testing of the call point (see diagrams above), as part of the scheduled maintenance of the fire alarm system, no additional maintenance is required.

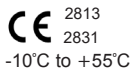
IMPORTANT NOTICES

These call points carry the following approvals:

KAC Alarm Co. Ltd.
Redditch B98 9ND
MCP**
Sira 04ATEX2350X



Ex ia IIC T4 Ga
Ui=30 V, Ii=500mA,
Pi=1W



-10°C to +55°C

The enclosure is non-conducting and may generate an ignition-capable level of electrostatic charges under certain extreme conditions. The user should ensure that the equipment is not installed in a location where it may be subjected to external conditions (such as high-pressure steam) which might cause a build-up of electrostatic charges on non-conducting surfaces. Additionally, cleaning of the equipment should be done only with a damp cloth.

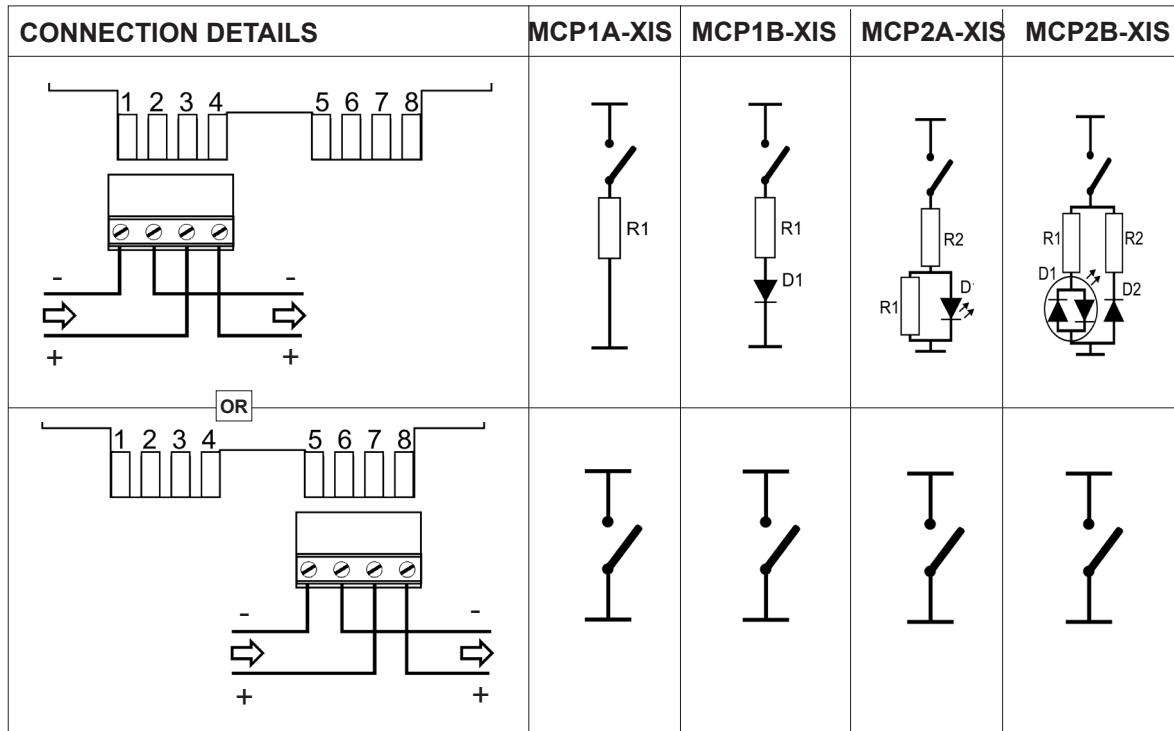
These call points must not be modified in any way as doing so may invalidate the Certification and may compromise the safety of the product.

They are designed and manufactured to protect against other hazards as defined in paragraph 1.2.7 of Annex II of the ATEX Directive 2014/34/EU

They are intended for indoor use within Intrinsically Safe(I.S.) Systems utilising suitable I.S. Barriers.

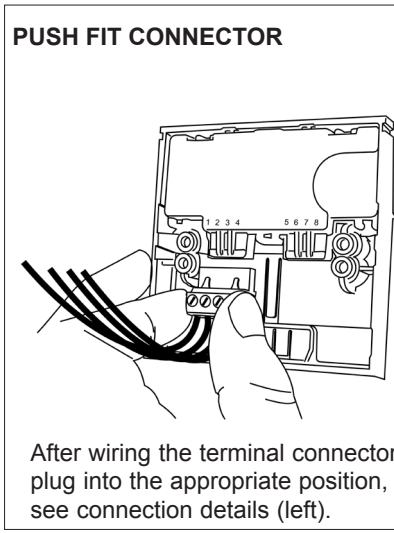
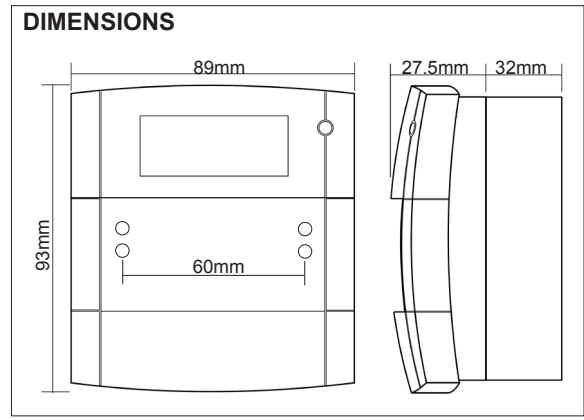
SPECIAL CONDITIONS FOR SAFE USE

(denoted by X after the certificate number)



X in the MCP code (left) represents the final digits of the part number, which indicate MCP colour, component values, mounting options and element type.

eg MCP1A -R470SFIS = (MCP1A, Red*, 470R, Surface, Flexible Element Intrinsically safe)



2831 08

KAC ALARM COMPANY LIMITED,
Thornhill Road, Redditch, Worcestershire, England. B98 9ND.

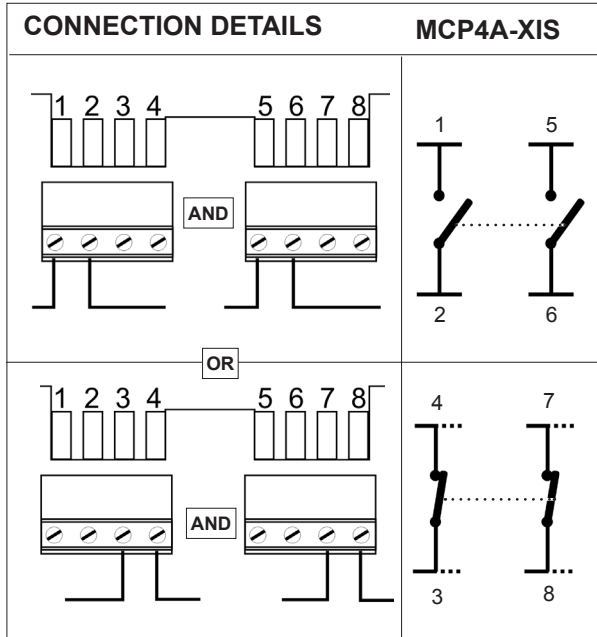
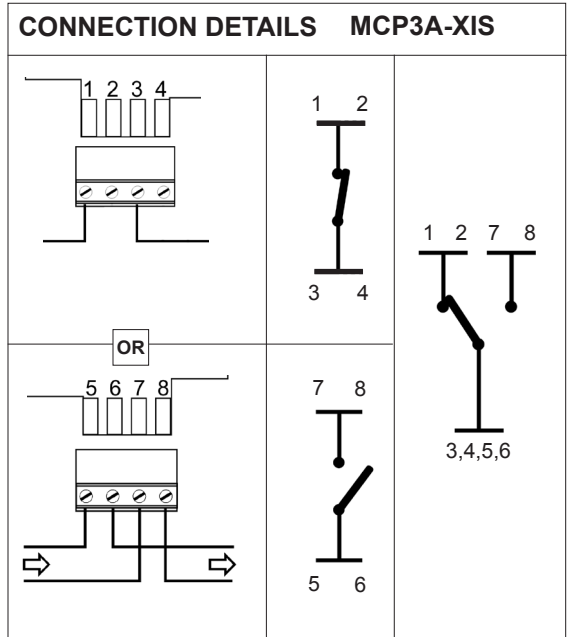
DOP014

EN54-11:2001/A1:2005

Fire detection and fire alarm systems - Part 11: Manual call points

MCP1IS, MCP2IS, MCP3IS, MCP4IS

Note: This table only applies to red products.



TECHNICAL DATA

110/160g

Red, Ral 3001
Yellow, Ral 1006
Green, Ral 6016
White, Ral 9010
Blue, Ral 5005