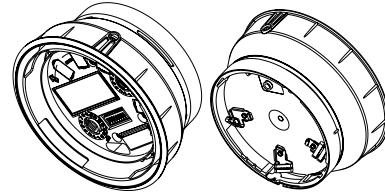


## INSTALLATION INSTRUCTIONS FOR ADDRESSABLE DETECTOR BASE SOUNDER STROBE EN54-23 C CATEGORY.

**MODEL - STANDARD DEVICE, C-3-8.5, O-1-3:**  
**MI-BRS-PC-I**

Standard Performance Detector Base Sounder Strobe  
Red Flash, Pure White Body, Clear Lens, Isolation



### GENERAL

**(ENG)** The range is used in analogue addressable fire alarm systems.

These devices must only be connected to control panels that use a compatible proprietary analogue addressable communication protocol. The Integrated Detector Base Sounder Strobe accepts a Series 200 Advanced detector. (Consult the panel instructions to confirm compatibility).

*Note: if the control equipment is not capable of taking over 99 module addresses, a fault condition will be generated for every address over 99.*

For isolator specification refer to document SP20-3249 available on request.

**(FRE)** La plage est utilisée dans les systèmes analogiques d'alarme incendie adressables. Ces dispositifs ne doivent être connectés qu'à des panneaux de commande qui utilisent un protocole de communication adressable analogique exclusif compatible. Le résonateur de base de détecteur intégré accepte un détecteur avancé de la série 200. (Consultez les instructions du panneau pour confirmer la compatibilité.)

*Remarque : si l'équipement de commande n'est pas capable d'accepter plus de 99 adresses de modules, une situation de défaut sera générée pour chaque adresse au-dessus de 99. Pour connaître les caractéristiques de l'isolateur, reportez-vous au document SP20-3249 disponible sur demande.*

**(GER)** Diese Produktgruppe wird in analogen adressierbaren Feueralarmsystemen verwendet.

Diese Geräte dürfen nur mit Steuertafeln verbunden werden, die ein kompatibles proprietäres analoges adressierbares Kommunikationsprotokoll verwenden. Der Integrated Detector Base Sounder nimmt einen Detektor der Reihe „200 Advanced“ auf. (Prüfen Sie die Kompatibilität in den Anweisungen zur Steuertafel.) Hinweis: Ist das Steuergerät nicht in der Lage, mehr als 99 Moduladressen zu verarbeiten, wird bei jeder Adresse, die diese 99 überschreitet, ein Fehlerzustand erstellt.

Die Isolatorspezifikation finden Sie im Dokument SP20-3249, das auf Anfrage zur Verfügung steht.

**(ITA)** La gamma è utilizzata in sistemi antincendio analogici e indirizzabili.

Questi dispositivi devono essere collegati unicamente a pannelli di controllo compatibili.

La sirena con rilevatore integrato accetta un rilevatore della serie 200 Advanced. (Consultare le istruzioni relative al pannello per confermare la compatibilità).

*Nota: se l'apparecchiatura di controllo non riesce a gestire oltre 99 indirizzi del modulo, si genererà una condizione di guasto per ogni indirizzo successivo al 99.*

Per le specifiche dell'isolatore fare riferimento al documento SP20-3249 disponibile su richiesta.

**(SPA)** El alcance se utiliza en sistemas direccionables analógicos de alarma de incendios.

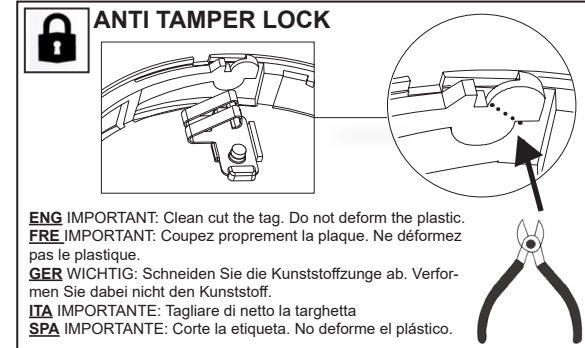
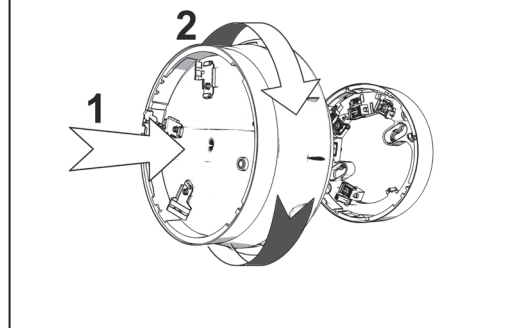
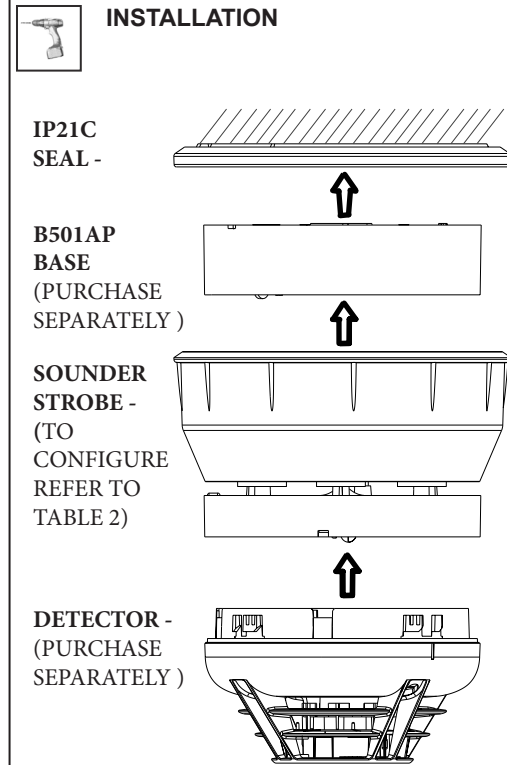
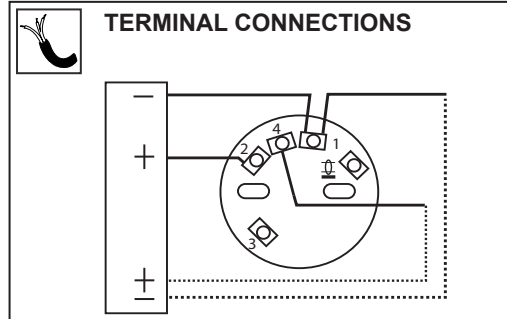
Estos dispositivos solo deben conectarse a paneles de control que utilicen un protocolo de comunicación direccionable analógico compatible y propio. La sirena base con detector integrado admite un detector avanzado de la serie 200.

(Consulte las instrucciones del panel para confirmar la compatibilidad).

*Nota: Si el equipo de control no es capaz de tomar más de 99 direcciones de módulo, se generará un fallo por cada dirección que supere a la dirección 99.*

Para conocer las especificaciones del aislante, consulte el documento SP20-3249 (disponible previa solicitud).

	15 to 29VDC (24VDC typical)	( ) (flash rate)	0.5 & 1Hz	<b>DIMENSIONS</b> 
<b>V</b> (isolation)				
<b>I</b> (max) @24V Standard Output Legacy Output	25mA 14mA	( ) (standby mode)	150uA	
<b>P</b> (max) Standard Output Legacy Output	590mW 330mW	°C (operating temperature)	-10°C to +55°C	
<b>EN54-3</b> (sound output) (High Volume Tone 8 @24V)	95dB(A) ± 3dB	% (humidity)	up to 93% (± 3%) non condensing	
<b>+</b> (terminal size)	2.5mm <sup>2</sup> maximum			



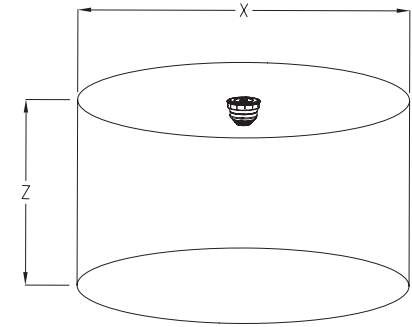
**ENG** For a full video on how to release the anti-tamper feature, please check:  
**FRE** Pour une vidéo complète sur la manière de libérer le dispositif anti-fraude, veuillez consulter :  
**GER** Für eine vollständige Videoanleitung um die Entnahmesicherung zu deaktivieren, prüfen Sie bitte:  
**ITA** Per un video integrale su come rimuovere l'elemento anti-manomissione, cortesemente controllare:  
**SPA** Para obtener un vídeo completo sobre cómo liberar la función anti manipulación, visite:

Table 1 - VERSION 1

DIP setting Paramètre DIP DIP-Schaltereinstellung Impostazione DIP Configuración DIP SW 1,2,3,4,5 0=Off/1=On	No	Pattern Type Muster Schema Patrón	Nominal Frequency Fréquence nominale Nennfrequenz Frequenza nominale Frecuencia nominal	Max consumption (mA, RMS) Consumption max. (mA, RMS) Maximalverbrauch (mA, RMS) Consumo medio (mA, RMS) Consumo máximo (mA, RMS)	Switching Frequency Fréquence de commutation Frequenzwechsel Frequenza di commutazione Frecuencia de conmutación	Description Description Beschreibung Descrizione Descripción	Market Marché Markt Mercato Mercado	Standard Standard Standard Norma Norma	2nd Stage Tone Tonalité de 2ème niveau Ton der zweiten Stufe Tono di seconda fase Tono de 2.ª fase	Typical Sound Output (dB) Sortie sonore type (dB) Typische Tonausgabe (dB) Uscita audio tipica (dB) Salida de sonido típico (dB)		
				Volume	Volume					Volume	Volume	
0,0,0,0,0	1	Alternating	525/440	19.89	14.43	2Hz (100ms/400ms)	French Fire Sound AFNOR	France	NFS 32-001	7	95.35	81.7
1,0,0,0,0	2	Alternating	800/922	18.28	14.68	1Hz		UK	BS5839 Pt1	8	95.39	86.4
0,1,0,0,0	3	Alternating	800/922	18.28	14.68	2Hz	Alternating tone telecoms	UK	BS5839 Pt1, FP1063.1	8	95.39	86.4
1,1,0,0,0	4	Alternating	2400/2900	18.47	15.24	3Hz	Alternating High Frequency			10	90.8	83.87
0,0,1,0,0	5	Alternating	2500/3100	24.53	15.11	2Hz	Security Alarm			10	96.99	82.73
1,0,1,0,0	6	Alternating	988/645	19.7	14.77	2Hz				8	97.38	86.23
0,1,1,0,0	7	Continuous	630	19.51	14.25		All clear	Sweden		1	96.6	83.29
1,1,1,0,0	8	Continuous	922	18.4	14.71				BS 5839 Pt 1	2	95.39	86.79
0,0,0,1,0	9	Continuous	1200	19.48	14.27					2	97.39	86.79
1,0,0,1,0	10	Continuous	2810	18.74	15.03		HF Continuous			4	91.22	85.32
0,1,0,1,0	11	Sweep	150-1000	19.93	14.52	Rising from 150Hz to 1000Hz in 10 seconds, then 40 seconds at 1000Hz, then falling from 1000Hz to 150Hz in 10 seconds, then 20 seconds at 150Hz, then repeating. Total period 80 seconds.	*Gasalarm* Tone			22	93.82	81.67
1,1,0,1,0	12	Intermittent	420	19.29	14.08	0.625s on, 0.625 sec off	AS2220 alert tone	NZ, Aus	AS2220	13	96.56	82.04
0,0,1,1,0	13	Sweep	500-1200	19.12	14.06	0.25 sec off, 3.75 sec on	AS2220 evacuate tone	NZ, Aus	AS2220	12	97.5	83.81
1,0,1,1,0	14	Intermittent	630	19.51	14.25	3.33Hz 150ms on, 150ms off	Swedish alarm tone	Sweden		7	96.6	83.29
0,1,1,1,0	15	Intermittent	922	18.4	14.71	0.8Hz 0.25s on, 1s off	Intermittent Tone	UK	BS 5839 Pt 1	8	95.39	86.79
1,1,1,1,0	16	Intermittent	922	18.4	14.71	0.5Hz 1s on, 1s off	Back up alarm LF & BS5839 Pt 1	UK	BS5839 Pt 1	8	95.39	86.79
0,0,0,0,1	17	Intermittent	2810	18.74	15.03	1Hz	Back up alarm HF & BS5839 Pt 1 2nd tone	UK	BS5839 Pt 1	10	91.22	85.32
1,0,0,0,1	18	Intermittent	922	18.4	14.71	1Hz 500ms on, 500ms off	LF BS5839 Pt 1	UK	BS5839 Pt 1	8	95.39	86.79
0,1,0,0,1	19	Intermittent	950	19.64	14.55	0.22Hz (0.5s on, 0.5s off) rptx3, 1.5s off		Australia	ISO8201	12	97	87.32
1,1,0,0,1	20	Continuous	800	18.03	13.93				BS 5839 Pt 1	22	94.83	79.75
0,0,1,0,1	21	Sweep	400-1200	18.67	14.29	(0.5s on, 0.5s off)*3, 1.5s off	Temporal 3 Evacuation tone	Australia	ISO8201 Temporal 3	12	95.21	81.14
1,0,1,0,1	22	Sweep	1200 - 500	18.98	13.97	0.99Hz 1s on, 0.01s off	Evacuate, DIN tone & PFEER	Germany	DIN, PFEER	20	96.4	82.86
0,1,1,0,1	23	Sweep	2400 - 2850	18.47	15.24	7Hz	Fast sweep VdS	Germany	VdS	10	90.8	83.87
1,1,1,0,1	24	Sweep	500 - 1200	18.98	15.19	(0.5s off, 3.5s on)	Slow whoop evacuate Netherlands	Netherlands	NEN 2575	8	96.75	84
0,0,0,1,1	25	Sweep	800 - 970	18.2	14.89	50Hz	LF Buzz BS5839 Pt 1	UK	BS5839 Pt 1	8	95.24	85
1,0,0,1,1	26	Sweep	800 - 970	17.31	14.32	7Hz	Fast sweep LF BS5839 Pt 1	UK	BS5839 Pt 1	8	94.6	83.15
0,1,0,1,1	27	Sweep	800 - 970	18.06	14.22	1Hz	Medium sweep LF, BS5839 Pt 1, VdS	UK, Germany	BS5839 Pt 1 VdS	8	95.38	84.49
1,1,0,1,1	28	Sweep	2400 - 2850	18.47	15.24	50Hz	High frequency buzz			10	90.8	83.87
0,0,1,1,1	29	Sweep	500 - 1000	18.13	14.06	7Hz	Fast whoop			8	95.68	82.08
1,0,1,1,1	30	Sweep	500 - 1200 - 500	19.73	14.81	0.166Hz rise 1s, stable 4s, fall 1s	Siren style tone			8	97.59	86.94
0,1,1,1,1	31	Sweep	800 - 1000	19.48	14.39	2Hz				8	97	86.95
1,1,1,1,1	32	Sweep	2400 - 2850	19.28	15.15	1Hz				10	92.19	85.63

Coverage data/ ceiling mount device example

EN 54-23	Led	V	Z (Max)	X (Max)	V (m <sup>3</sup> )
C - 3 - 8.5	RED	15-29V	3m	8.5m	170
O - 1 - 3	RED	15-29V	1	3m	7



Regulation (EC) No 1907/2006

According to Article 33 of REACH Regulation be informed that the substance listed below may be contained in these products above the threshold level of 0.1% by weight of the listed article.

Product code	Substance Name	CAS Number
	Lead	7439-92-1

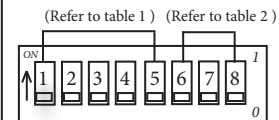


This symbol on our product shows a crossed-out "wheeled bin" as required by law regarding the Waste of Electrical and Electronic Equipment (WEEE) disposal. This indicates your responsibility to contribute in saving the environment by proper disposal of this Waste i.e. Do not dispose of this product with your other wastes.

To know the right disposal mechanism please check the applicable law

Sounder Output data, in accordance with EN54-3, is available on Document Ref: D 1154

Volume, coverage and frequency settings

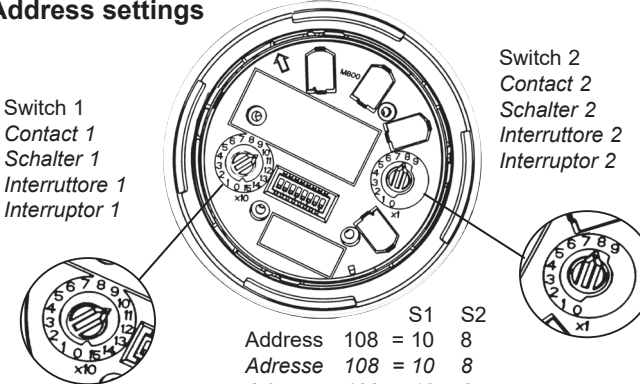


DIP setting 0=Off/1=On  
Paramètre DIP 0=Désactivé/1=Activé  
DIP-Schaltereinstellung  
0=Aus/1=Ein  
Impostazione DIP 0=Off/1=On  
Configuración DIP  
0=Desactivado/1=Activado

Table 2

	ON	OFF
SW6	LOW VOLUME	HIGH VOLUME
SW7	N/A	not in use
SW8	f	1Hz (Open class only) 0.5Hz

Address settings



Switch 1  
Contact 1  
Schalter 1  
Interruttore 1  
Interruptor 1

Switch 2  
Contact 2  
Schalter 2  
Interruttore 2  
Interruptor 2

S1 S2  
Address 108 = 10 8  
Adresse 108 = 10 8  
Adresse 108 = 10 8  
Indirizzo 108 = 10 8  
Dirección 108 = 10 8

(ENG) To set one of the 159 available addresses for the device use the two rotary switches located either side of the dip switch unit. The 'tens' digits goes from 0 to 15 and the 'units' from 0 to 9.  
\*100 - 159 Only available with advanced protocol.  
(FRE) Pour régler l'une des 159 adresses disponibles pour le dispositif, utilisez les deux commutateurs rotatifs situés sur l'un des côtés de l'unité de commutateurs DIP. Les chiffres des dizaines vont de 0 à 15 et ceux des unités de 0 à 9.  
\*100 à 159 Uniquement disponible avec le protocole avancé.  
(GER) Verwenden Sie die beiden Drehschalter zu beiden Seiten der DIP-Schaltereinheit, um eine der 159 verfügbaren Adressen für das Gerät einzustellen. Die „Zehner“-Ziffern reichen von 0 bis 15 und die „Einer“ von 0 bis 9.  
\*100-159 stehen nur mit erweiterten Protokoll zur Verfügung.  
(ITA) Per impostare uno dei 159 indirizzi disponibili per il dispositivo utilizzare i due selettori rotanti posizionati su entrambi i lati dell'unità DIP switch. Le cifre delle decine vanno da 0 a 15 e quelle delle unità da 0 a 9.  
\*100 - 159 Disponibili solo con il protocollo avanzato.  
(SPA) Para definir una de las 159 direcciones disponibles en el dispositivo, utilice los dos selectores giratorios situados a ambos lados del cuadro de conmutadores de selección. Los dígitos decimales van del 0 al 15 y las unidades del 0 al 9.  
\* 100-159 Solo disponible con el protocolo avanzado.



2831 20  
Morley-IAS by Honeywell,  
Pittway Tecnologica Srl, Via Caboto 19/3,  
34147 Trieste, Italy  
DOP048MO - ISO

EN 54-3:2001 +A1: 2002 + A2:2006  
Fire detection and fire alarm systems - Sounders  
EN54-23:2010  
Fire detection and fire alarm systems - Visual Alarm Devices

EN 54-17:2005  
Fire detection and fire alarm systems - Short-circuit isolators.

MI-BRS-PC-I