

METHODS OF FIXING

COSHH - Glass

Care must be taken when removing broken glass from the call point. An adhesive Vinyl label fitted to the front of the glass should keep glass fragments together but there is a small risk that glass shards may be present.

INSTALLATION CONSIDERATIONS

The call points should be installed in a position where they will not be subjected to mechanical stresses, and where the temperature is within the Operating Temperature range.

Areas where there are, or are likely to be, aggressive substances should be avoided. Details of the materials used in the construction of the call point and likely harmful substances can be obtained from the manufacturer at the address below.

The use of lubricants, cleaning solvents or petroleum based products should be avoided.

MAINTENANCE

Apart from regular testing of the call point (see diagrams above), as part of the scheduled maintenance of the fire alarm system, no additional maintenance is required. The O-ring should be replaced when refitting or replacing the Waterproof Cover.

Wall Mounting of Back Box

Mount the back box to a suitably flat surface using the three fixing holes and the screws provided in the installation pack. The cable entry holes should be in the vertical plane. The back box can be mounted with either the single or the double entry holes at the top.

Fitting the WCP Cover to the back box

Plug the 4 way terminal connector onto the appropriate position as shown. Ensure that the O-ring is correctly seated in the channel on the rear of the cover. Place the cover squarely over the back box and carefully push the cover until the locating clips have engaged. Do not use excessive force. It is recommended that the 4 cover fixing screws are used to lock the cover into place.

IMPORTANT NOTICES

These call points carry the following approvals:

KAC Alarm Co. Ltd.
 /XRM52
 WCP**
 II 1GD
 Ex ia IIC T4 Ga
 Ex ia IIC T135°C Da
 -20°Cd Tad 40°C, Pi=0.75W, li=0.25A
 -20°Cd Tad 70°C, Pi=0.65W, li=0.25A
 Sira 06ATEX2131X Ex Uj=30 V, li=500mA, Pi=1W
 SIR 08.0105X
 -20°Cd Tad 70°C

The enclosure is non-conducting and may generate an ignition-capable level of electrostatic charges under certain extreme conditions. The user should ensure that the equipment is not installed in a location where it may be subjected to external conditions (such as high-pressure steam) which might cause a build-up of electrostatic charges on non-conducting surfaces. Additionally, cleaning of the equipment should be done only with a damp cloth.

These call points must not be modified in any way as doing so may invalidate the Certification and may compromise the safety of the product.

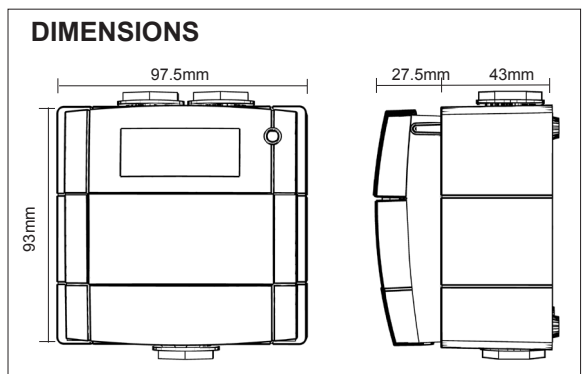
They are designed and manufactured to protect against other hazards as defined in paragraph 1.2.7 of Annex II of the ATEX Directive (8

They are intended for use within Intrinsically Safe(I.S.) Systems utilising suitable I.S Barriers.

SPECIAL CONDITIONS FOR SAFE USE
 (denoted by X after the certificate number)

CONNECTION DETAILS	WCP1A-XIS	WCP1B-XIS	WCP2A-XIS	WCP2B-XIS

X in the WCP code (left) represents the final digits of the part number, which indicate WCP colour, component values, mounting options and element type.
 eg WCP1A -R470SFIS = (WCP1A, Red*, 470R, Surface, Flexible Element, Intrinsically safe)



WCP COVER REMOVAL

To remove the cover, undo and remove the 4 Cover fixing screws. Place the edge of a large flat bladed screwdriver into the slot between the Cover and back box as shown in below and gently twist until the latches are disengaged. Pull cover away from backbox.

PUSH FIT CONNECTOR

After wiring terminal connector, plug connector into appropriate position, see connection details. (left)

CONNECTION DETAILS	WCP3A-XIS

CONNECTION DETAILS	WCP4A-XIS

TECHNICAL DATA

350g

R=Red, Ral 3001
 Y=Yellow, Ral 1006
 G=Green, Ral 6024
 W=White, Ral 9010
 B=Blue, Ral 5005

CE
 2831 16

KAC ALARM COMPANY LIMITED, Honeywell House,
 Skimped Hill Lane, Bracknell, Berks, RG12 1EB.

DOP015

EN54-11:2001/A1:2005
 Fire detection and fire alarm systems - Part 11: Manual call points

WCP1IS, WCP2IS, WCP3IS, WCP4IS

Note: This table only applies to red products.