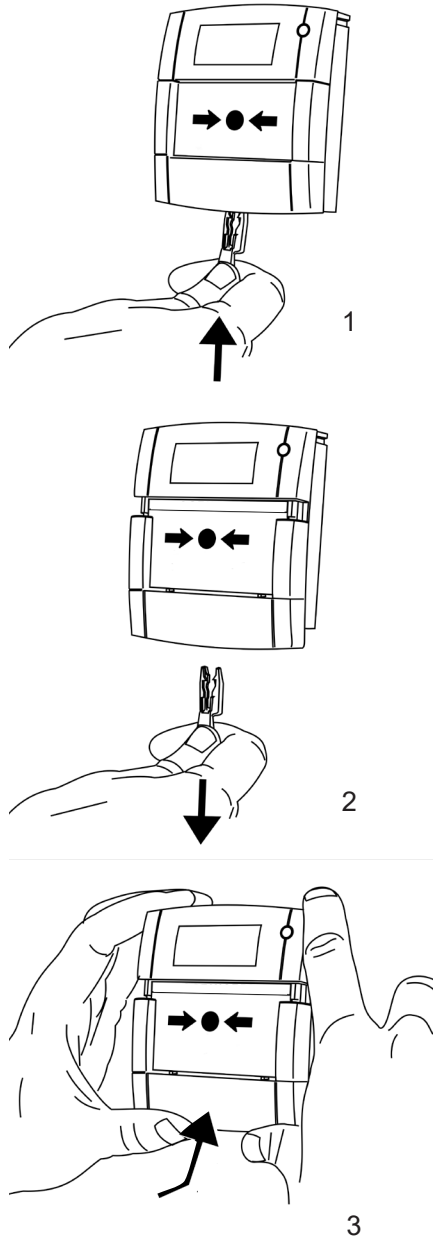
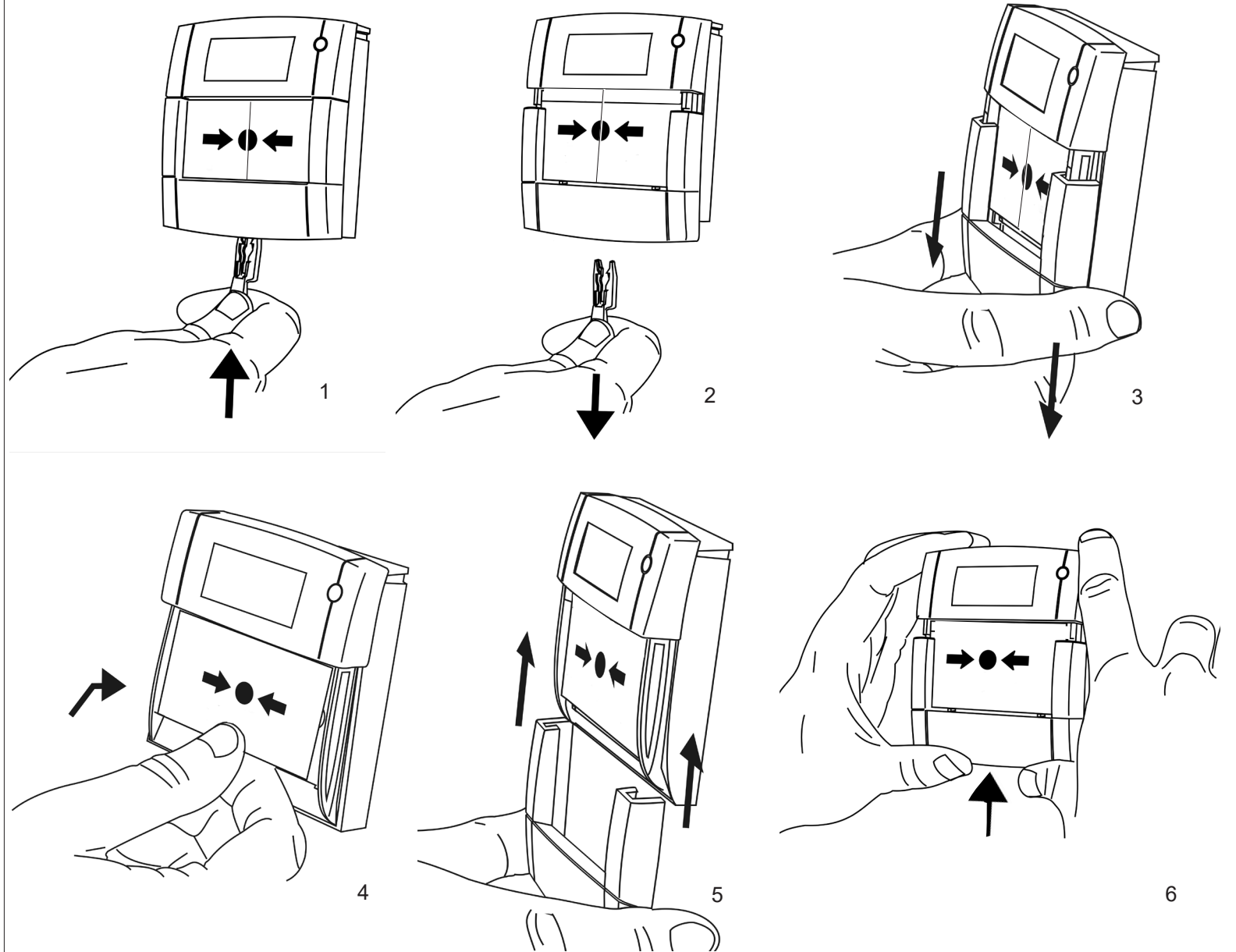
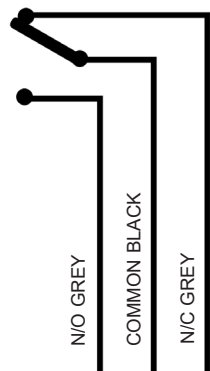


TO TEST & RESET**TO REPLACE GLASS / INTERCHANGE BETWEEN RESETTABLE AND GLASS ELEMENT**

(!) IMPORTANT NOTE: After changing the element from Glass to Flexi, please confirm the operation by pressing the resettable element.

CONNECTION DETAILS MCP6H-xC01

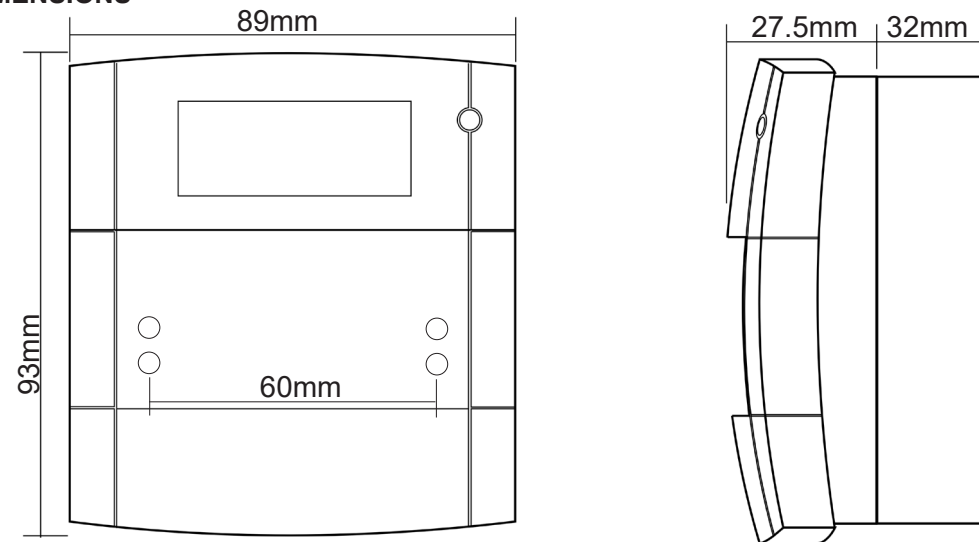


The generic part codes detailed on this data sheet contain a number of 'X' digits to cater for product variation as follows:-

Digit 6 - Product Colour
Digit 10 - Mounting
(Surface or Flush)
Digit 11 - Element
(Glass or Resettable)

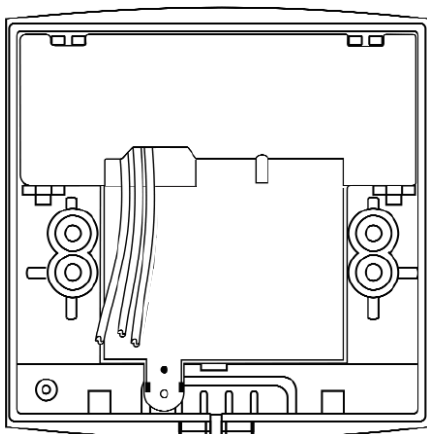
See MCP label for details.

DIMENSIONS



Note: The product should be installed onto a suitable back-box.

FLYING LEADS



The MCP6H (including variations).

MCP6 products are supplied with flying leads to enable connection to 3rd party PCB boards (supplied by others).



2831 16

KAC ALARM COMPANY LIMITED,
Honeywell House, Skimped Hill Lane, Bracknell,
Berks, RG12 1EB.

DOP048

EN54-11:2001/A1:2005

Fire detection and fire alarm systems - Part 11: Manual call points.

MCP6H

Note: This table only applies to red products.

TECHNICAL DATA



Red, Ral 3001
Yellow, Ral 1006
Green, Ral 6024
White, Ral 9010
Blue, Ral 5005



Important Notes; -
Please do not over tighten fixing screws.
The use of lubricants, cleaning solvents or petroleum based products should be avoided.

