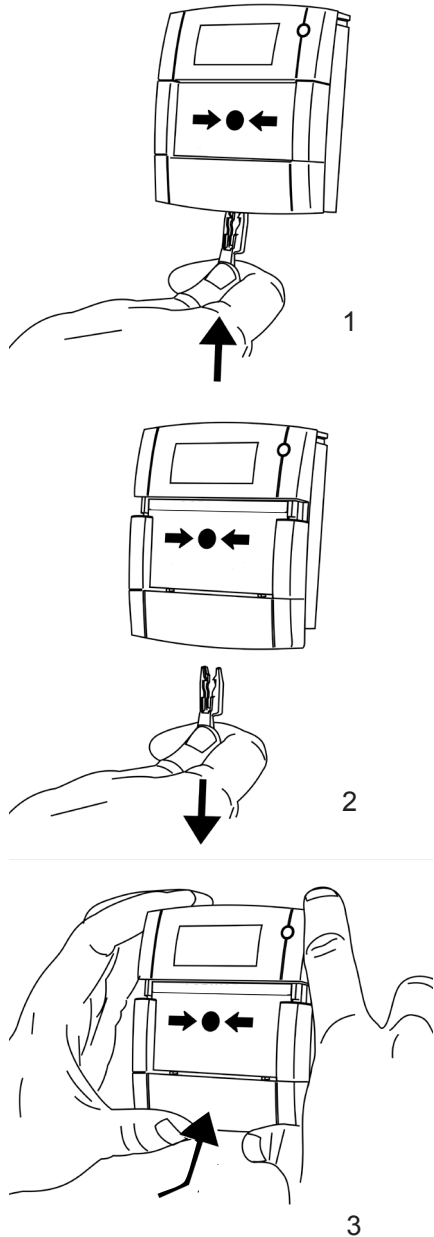
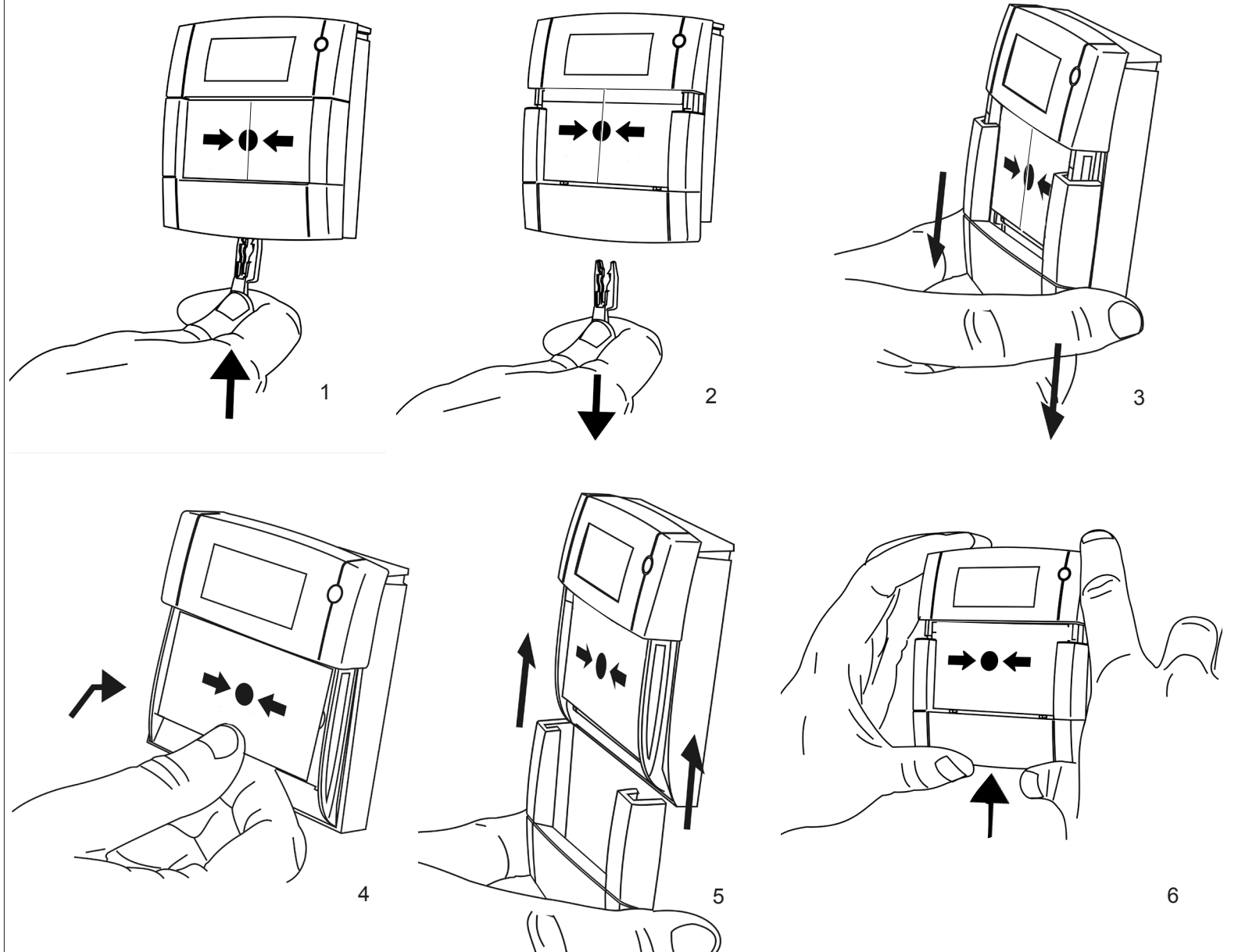


TO TEST & RESET**TO REPLACE GLASS / INTERCHANGE BETWEEN RESETTABLE AND GLASS ELEMENT**

(!) IMPORTANT NOTE: After changing the element from Glass to Flexi, please confirm the operation by pressing the resettable element.

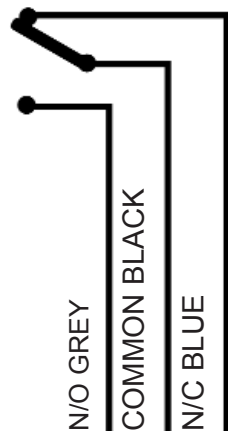
KAC INSTALLATION INSTRUCTIONS FOR THE MANUAL CALL POINT MODELS MCP6V-xC01



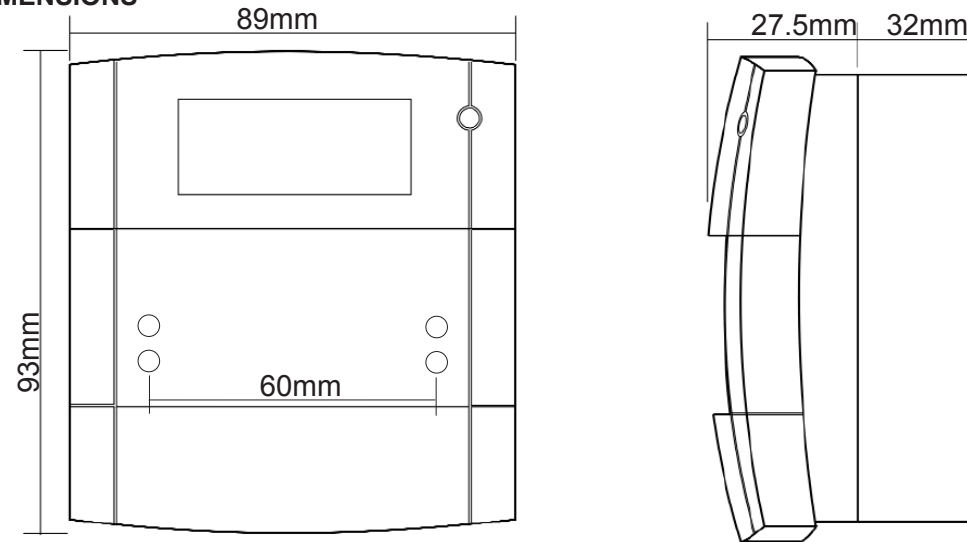
CAUTION
Mains voltage

SAFETY NOTES:
Care must be taken when using this product at mains voltages. Under no circumstances should cables be live during installation. The device must be fully assembled and installed before being powered-up. Note that the element can be changed as per the instructions on the product data sheet but ensure that power is disconnected before attempting any further dismantling or removal of the unit. Ensure that the system earth cable is correctly terminated. This device should only be installed and maintained by a suitably qualified person.

CONNECTION DETAILS MCP6V-xC01

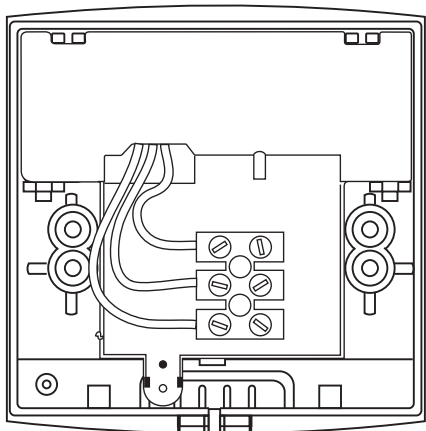


DIMENSIONS



Note: The product should be installed onto a suitable back-box

FLYING LEADS



The MCP6V (including variations).

The generic part codes detailed on this data sheet contain a number of 'X' digits to cater for product variation as follows:-

Digit 6 - Product Colour
Digit 10 - Mounting (*Surface or Flush*)
Digit 11 - Element (*Glass or Resettable*)

See MCP label for details.

TECHNICAL DATA



240VAC Max
30VDC Max
8VDC Min



2.0A Max



IP34



85g/170g



-10°C to 55°C



Red, Ral 3001
Yellow, Ral 1006
Green, Ral 6024
White, Ral 9010
Blue, Ral 5005



Important Notes; -
Please do not over tighten fixing screws.
The use of lubricants, cleaning solvents or petroleum based products should be avoided.